

77715 Sofa Table

PART LIST

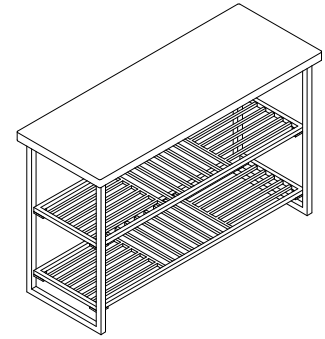
- 1 Travertine Top
- 2 Leg
- 2 Stretcher
- 2 Grill Shelf

HARDWARE LIST

- 16 Bolts 3/16 x 1/2"
- 12 Screws #10 x 3/4"

TOOLS REQUIRED BUT NOT PROVIDED

Phillips Screwdriver

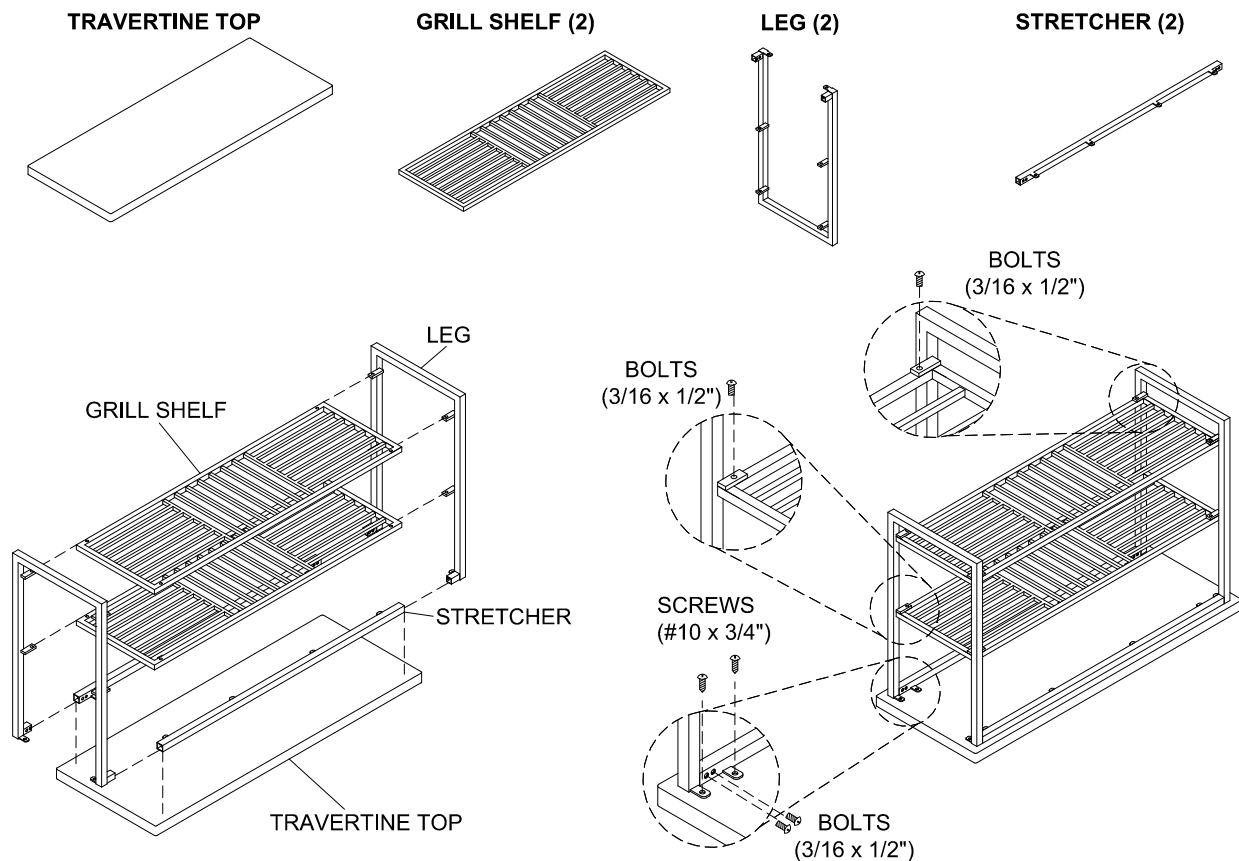


Thank you for purchasing this quality product. Be sure to check all packing material carefully for small parts which may have come loose inside the carton during shipment. Identify and count all parts and compare with parts lists.

It is strongly recommended that this table be assembled by **TWO PEOPLE** to avoid marking or scratching the finish. It is easier to assemble this product upside down.

1. Locate and unpack all of the parts and place them on a soft surface such as a blanket or carpet.
2. Match numbers on base to numbers on top.
3. Place the Travertine Top upside down on a soft surface.
4. Attach Legs to Grill Shelves and Stretchers using 3/16 x 1/2 Bolts as shown. Leave loose.
5. Attach Leg Assembly to Travertine Top using #10 x 3/4 Screws as shown. Tighten Bolts.
6. Turn the completed Table upright.

It is recommended that you periodically check and tighten all parts during the lifetime of the product. Clean with a damp cloth and buff dry with a soft cloth. Use of commercial polishes or waxes is not recommended.



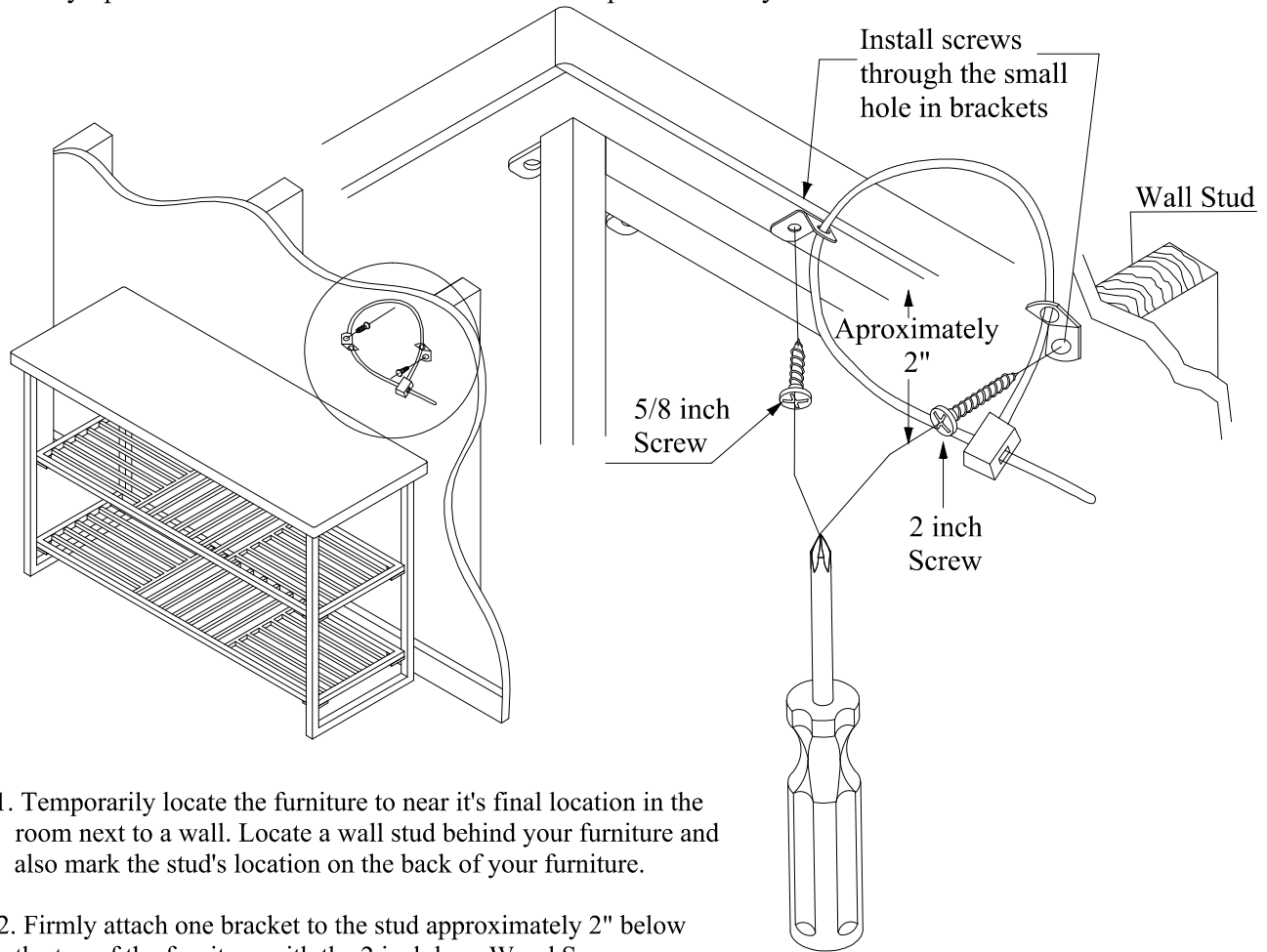
This Sofa Table includes an Anti-Tipping Restraint Kit

Travertine is a natural, porous material that can be cut, machined and polished. Each piece of travertine has unique natural characteristics that affect the appearance, color and polishing qualities. These are not flaws in quality, but the natural beauty of Travertine. This product has been stained and has a polyurethane top coat; however caution must still be followed. Take care not to scratch, knock, chip or drop. Use coasters when serving food and drinks and under articles that may scratch. Do not place hot items directly on the surface. Avoid contact with glass cleaner, lemon, vinegar, alcohol, acids and oil products. This product is not intended for outdoor use.

Anti-Tip Hardware Installation Instructions

Notice: Riverside Furniture Corp. recommend that steps be taken for certain furniture items to prevent or minimize the risk of tip-over. This furniture is equipped with Tip-over Restraint Hardware for use to minimize this risk, if used.

Please follow below installation steps. Riverside Furniture Corp. recommends that parents and guardians periodically visit the U.S. Consumer Product Safety Commission (CPSC) website at <http://www.cpsc.gov/> and stay up to date on all issues related to children's product safety.



1. Temporarily locate the furniture to near it's final location in the room next to a wall. Locate a wall stud behind your furniture and also mark the stud's location on the back of your furniture.
2. Firmly attach one bracket to the stud approximately 2" below the top of the furniture with the 2 inch long Wood Screws provided. It may be necessary to drill $3/32$ dia. pilot holes for the screws.
3. Firmly attach the other bracket into the bottom of the top of the furniture, using the 5/8 inch long Wood Screws. Attach as far from the edge of the top as possible. It may also be necessary to pilot bore for these screws.
4. Move the furniture into its final position, taking care to line up the wall bracket with the furniture bracket. Thread a strap through the bracket as shown in the illustration. Tighten strap until snug but do not over tighten.

Caution: Riverside Furniture Corp. assumes no liability for improper installation or excessive loads placed on screws, brackets or straps. Failure to detach this restraint before moving furniture may result in personal injury and property damage.

Warning: This tip-over restraint is not to be a substitute for proper adult supervision. Do not allow children to climb on furniture. Items left on top of the TV and furniture, such as toys, remote controls and treats might tempt young children to climb. Push the TV as far back as possible from the front of its stand. Place electrical cords out of a child's reach, and teach children not to play with the cords.