

*Hardware and Parts packed with the Headboard*

Ø5/16" × 1-1/2" Long  
Allen-Head Bolt

(H-A)



10 pcs.

Ø5/16" × 19 × 2mm  
Flat Washer

(H-B)



10 pcs.

Ø5/16" × 12 × 3mm  
Spring Washer

(H-C)



10 pcs.

5mm Allen Wrench

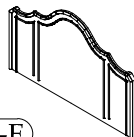
(H-D)



1 pc.

Headboard Panel

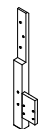
(H-E)



1 pc.

Left Leg

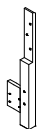
(H-F)



1 pc.

Right Leg

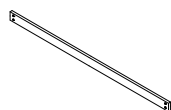
(H-G)



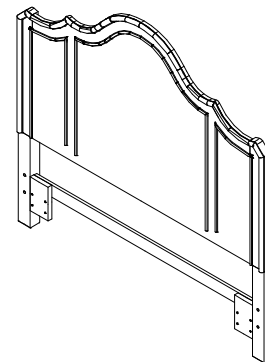
1 pc.

Bottom Stretcher

(H-H)



1 pc.



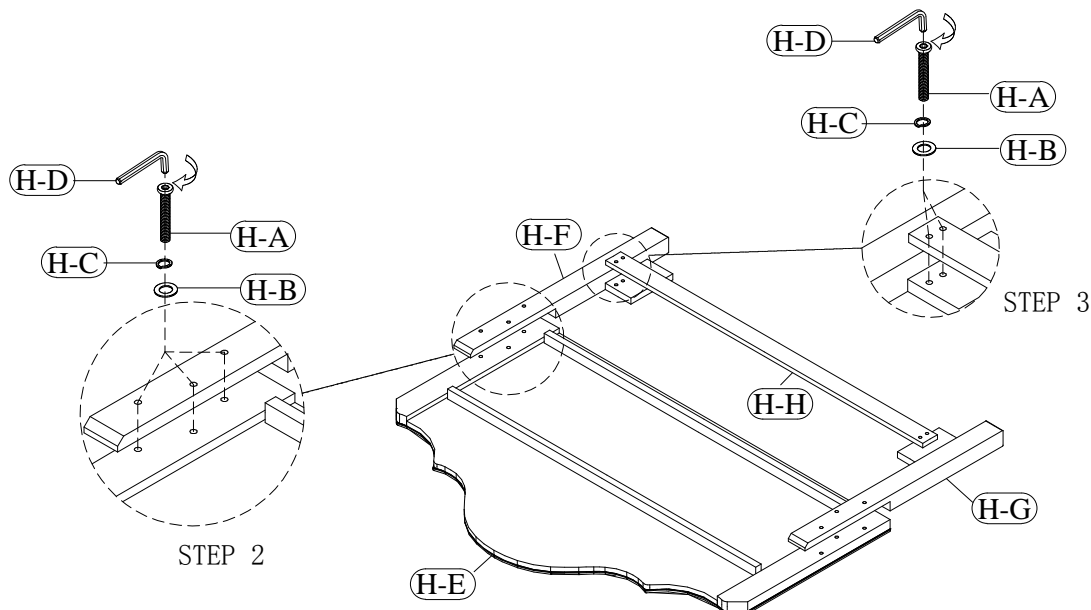
21570 4/6-5/0 Panel Headboard  
21580 6/0-6/6 Panel Headboard

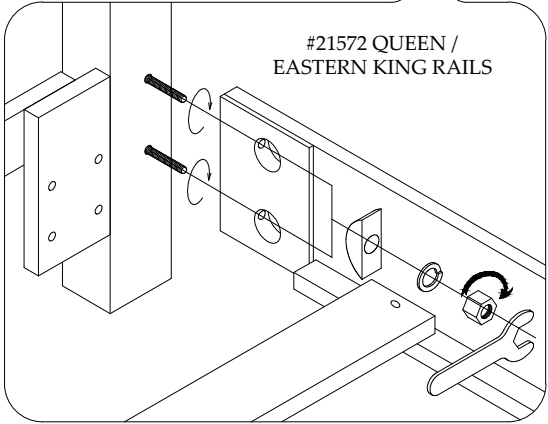
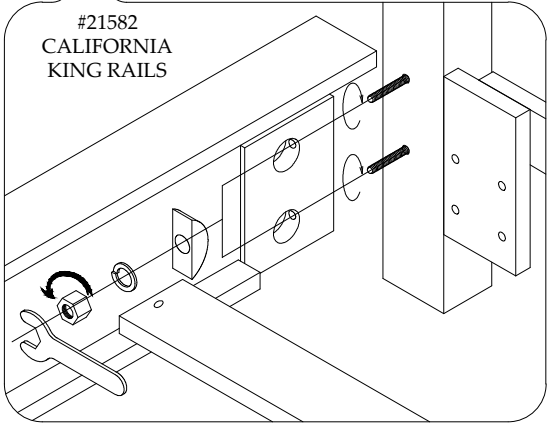
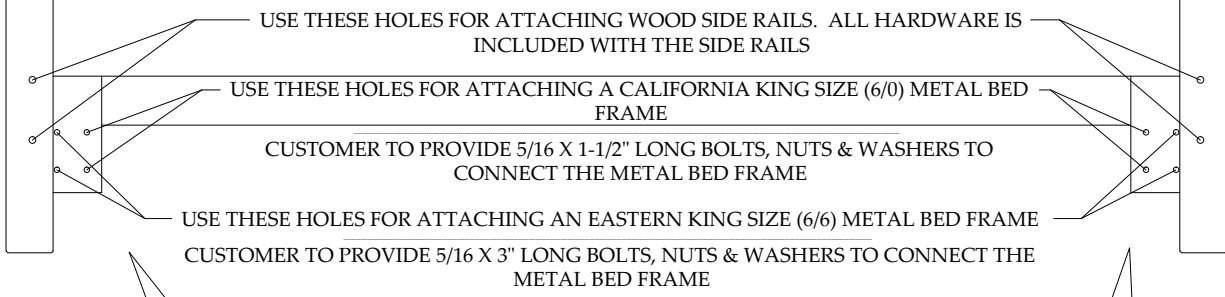
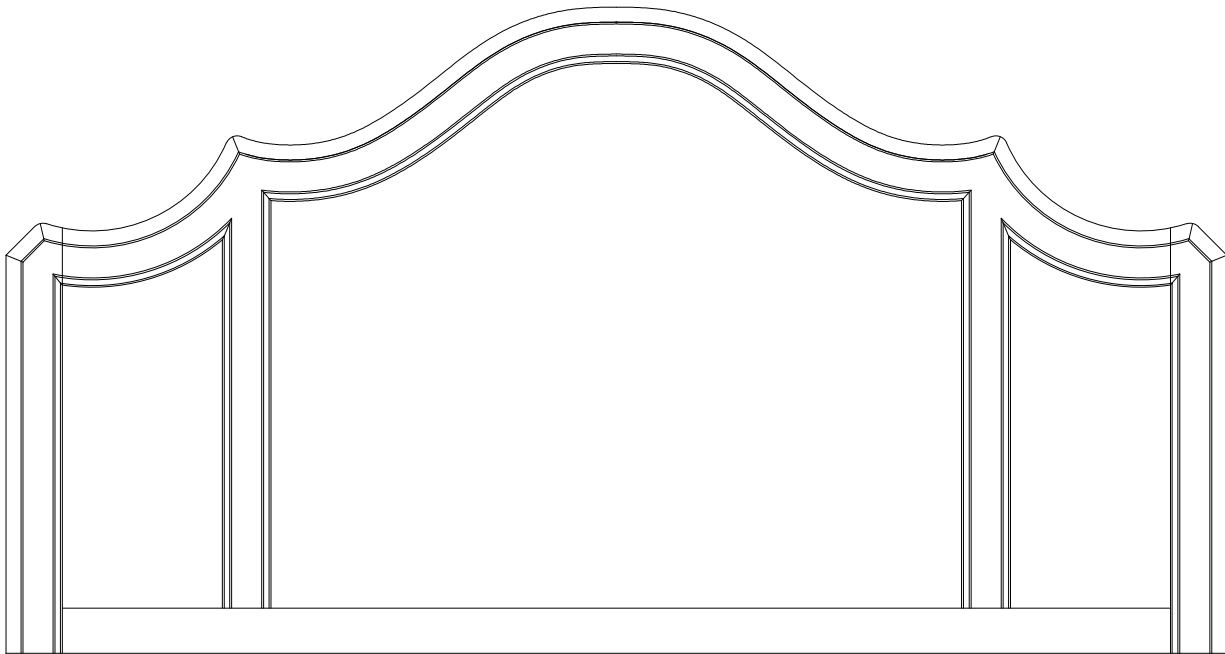
Be sure to check all packing material carefully for small parts, which may have come loose inside the carton during shipment. To prevent possible scratches or damage, this furniture should be assembled on a soft surface such as a blanket or carpet.

**ASSEMBLY STEPS:**

1. Place the Headboard Panel face down on the soft surface.
2. Attach the Left Leg (H-F) and the Right Leg (H-G) to the back of the Headboard Panel using the Allen-Head Bolts (H-A), Spring Washers (H-C) and Flat Washers (H-B). Do not fully tighten Bolts until after next step.
3. Attach the Bottom Stretcher (H-H) to the Legs as shown using the same Bolts and Washers as before.
4. Tighten all Bolts using the Allen Wrench (H-D).

Carefully lean the assembled Headboard against the wall where the bed will be used.





6/0 California King Panel Bed  
21580 -- 6/0-6/6 Panel Headboard  
21582 -- 6/0 Bed Rails  
21581 -- 6/0-6/6 Panel Footboard w/Slats  
OR  
21587 -- 6/0-6/6 Straight Panel Footboard

6/6 Eastern King Panel Bed  
21580 -- 6/0-6/6 Panel Headboard  
21572 -- 5/0-6/6 Bed Rails  
21581 -- 6/0-6/6 Panel Footboard w/Slats  
OR  
21587 -- 6/0-6/6 Straight Panel Footboard

The Headboard may be used alone with an Eastern King or California King Metal Bed Frame