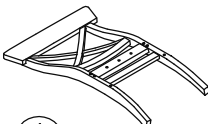
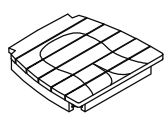


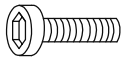
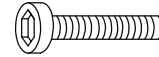
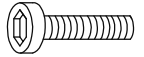


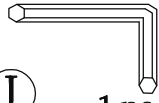

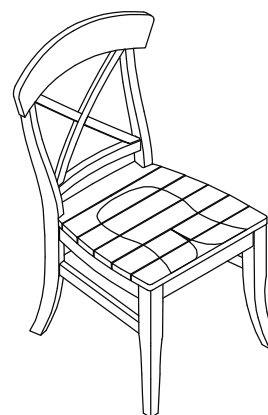


Components and Hardware List

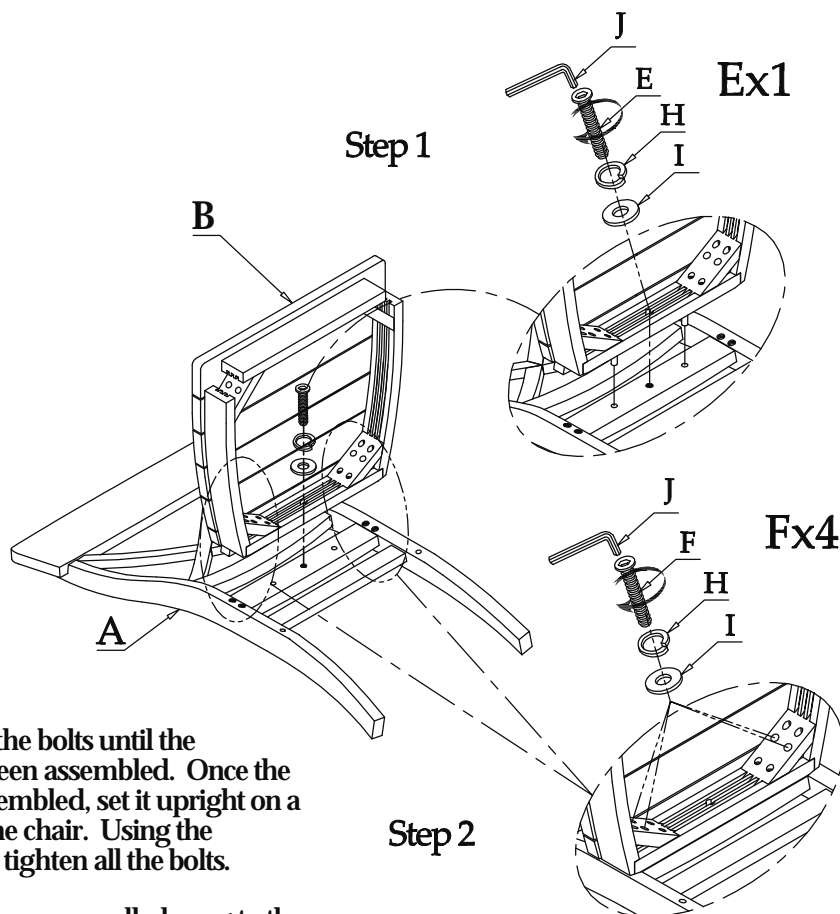
Back Frame	Seat Frame	Front Leg	Side Stretcher
 A 1 pc.	 B 1 pc.	 C 1 Left & 1 Right	 D 1 Left & 1 Right
M5/16"-18 x 1-1/2" Allen Head Bolt  E 1 pc.	M5/16"-18 x 3" Allen Head Bolt  F 4 pcs.	M5/16"-18 x 2-1/4" Allen Head Bolt  G 4 pcs.	5/16" Spring Washer  H 9 pcs.
5/16" *19*2mm Flat Washer  I 9 pcs.	5mm Allen Wrench  J 1 pc.	#8 x 1-1/4" Screw  K 4 pcs.	



#27357 & 27457
X-Back Dining Chair

Be sure to check all packing material carefully for small parts, which may have come loose inside the carton during shipment.

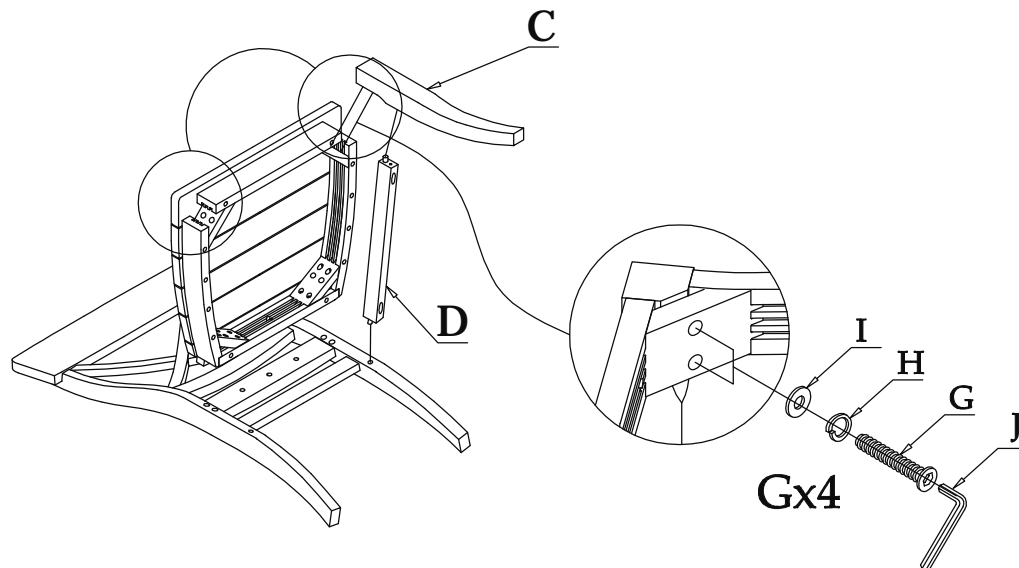
To prevent possible scratches and damage, this furniture must be assembled by two people on a soft surface such as a blanket or carpet.



Do not fully tighten the bolts until the complete chair has been assembled. Once the complete chair is assembled, set it upright on a flat surface to level the chair. Using the provided Allen Key, tighten all the bolts.

Make sure the stretchers are pulled snug to the front and back legs, then install the wood screws (K) using your Phillips screwdriver.

Step 3



Step 4

