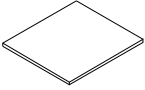
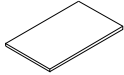
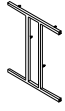
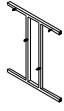
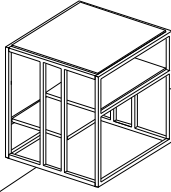

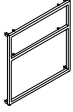
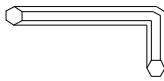



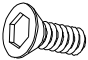
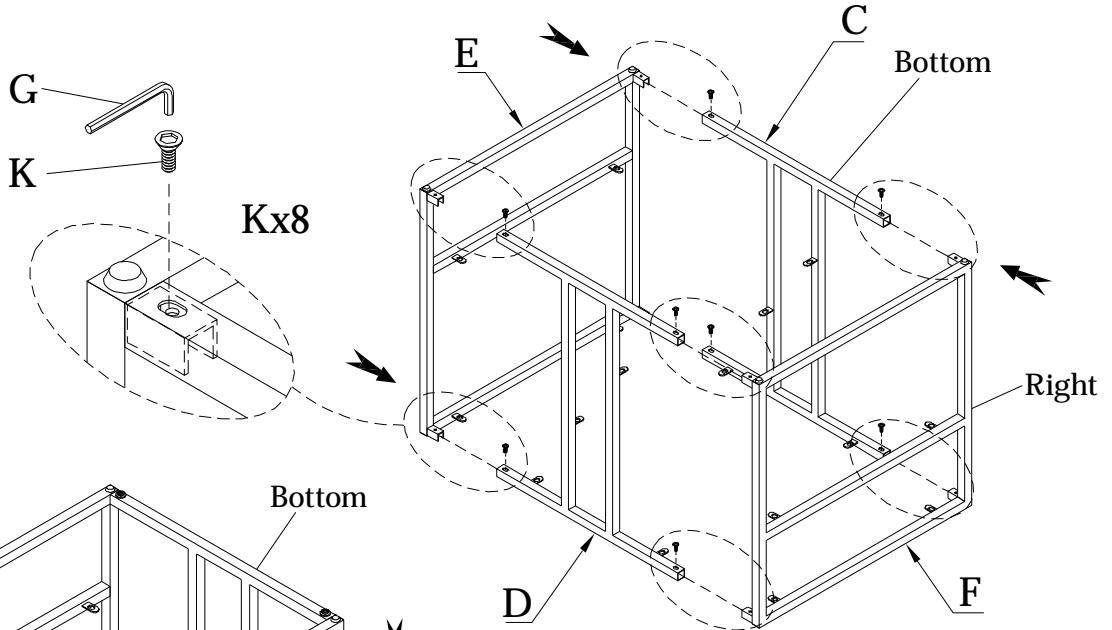


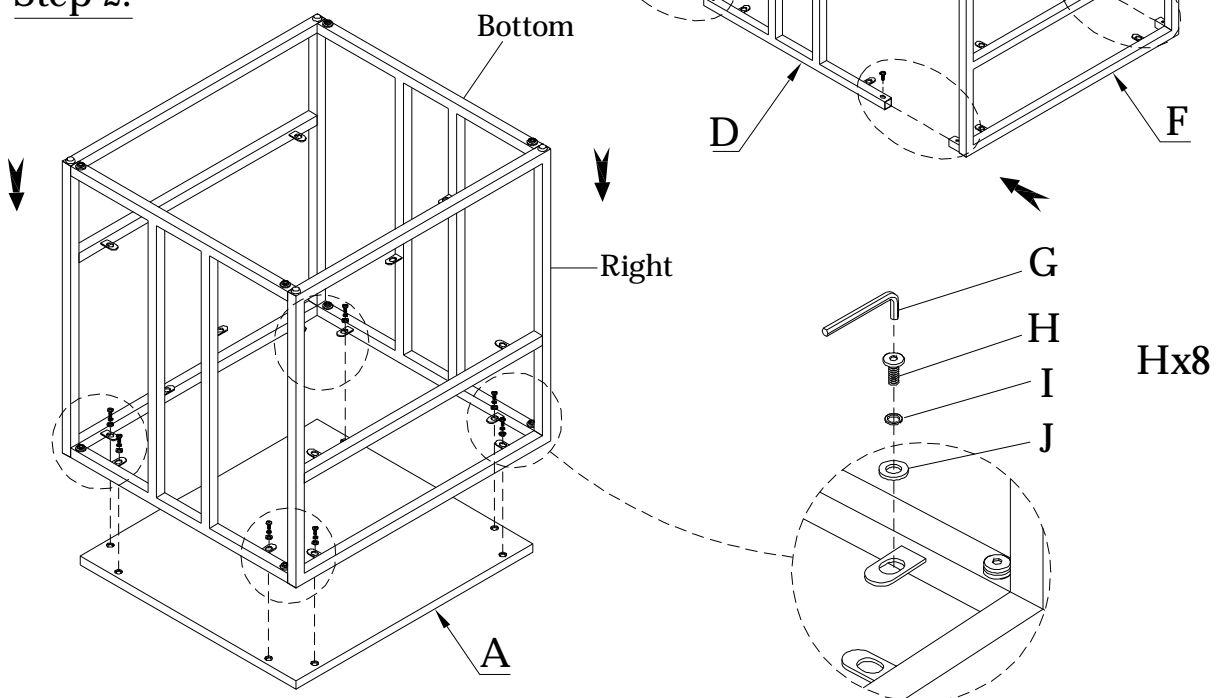
Components and Hardware List

<p>Table Top</p>  <p>(A) 1 pc.</p>	<p>Shelf</p>  <p>(B) 2 pcs.</p>	<p>Front Frame</p>  <p>(C) 1 pc.</p>	<p>Back Frame</p>  <p>(D) 1 pc.</p>	 <p>#37109 End Table</p>	
<p>Side Frame (Left)</p>  <p>(E) 1 pc.</p>	<p>Side Frame (Right)</p>  <p>(F) 1 pc.</p>	<p>M4 Allen Key</p>  <p>(G) 1 pc.</p>	<p>1/4" -20 x 5/8" Allen Head Bolt</p>  <p>(H) 16 pcs.</p>	<p>1/4" - Ø12x1mm Spring Washer</p>  <p>(I) 16 pcs.</p>	<p>1/4" - Ø16x2mm Flat Washer</p>  <p>(J) 16 pcs.</p>
<p>1/4"-20 x 5/8" Allen Flat Head Bolt</p>  <p>(K) 8 pcs.</p>	<p>Be sure to check all packing material carefully for small parts, which may have come loose inside the carton during shipment. To prevent possible scratches and damage, this furniture should be assembled on a soft surface such as a blanket or carpet.</p>				

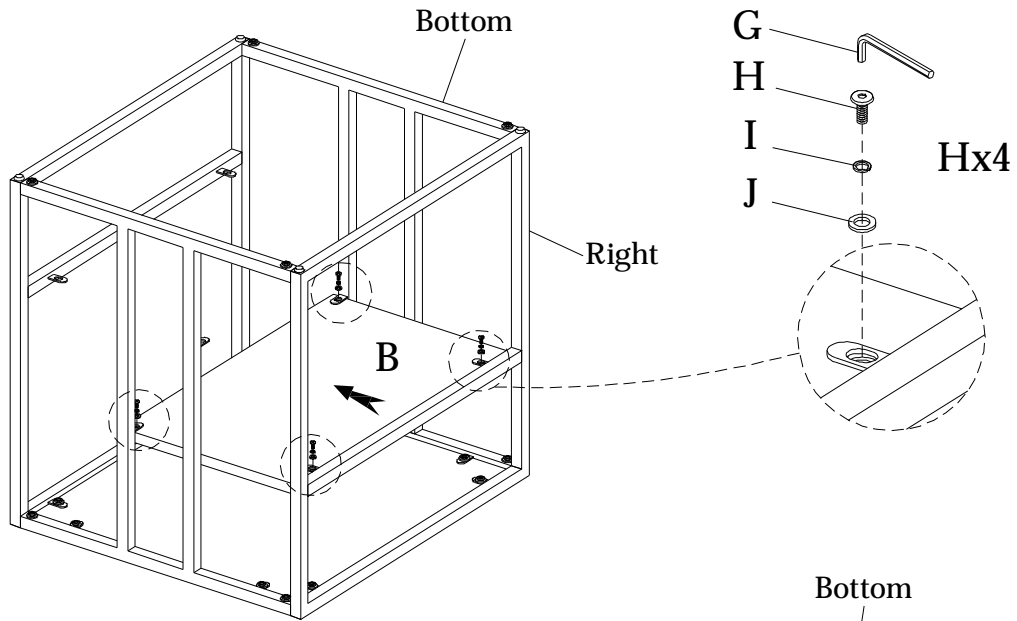
Step 1:



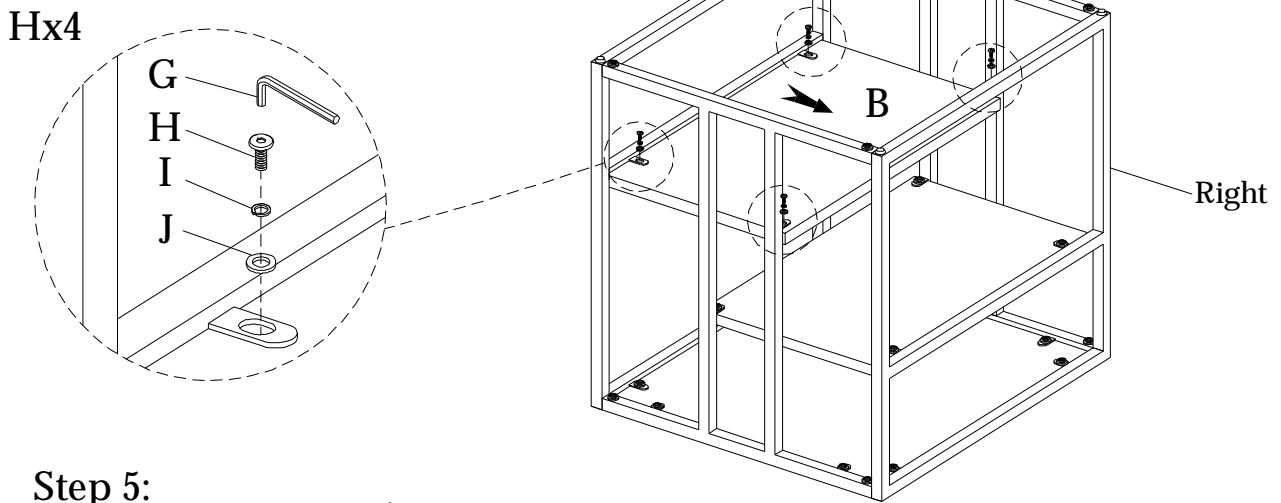
Step 2:



Step 3:



Step 4:



Step 5:

