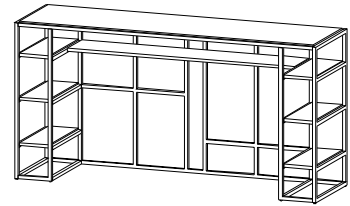


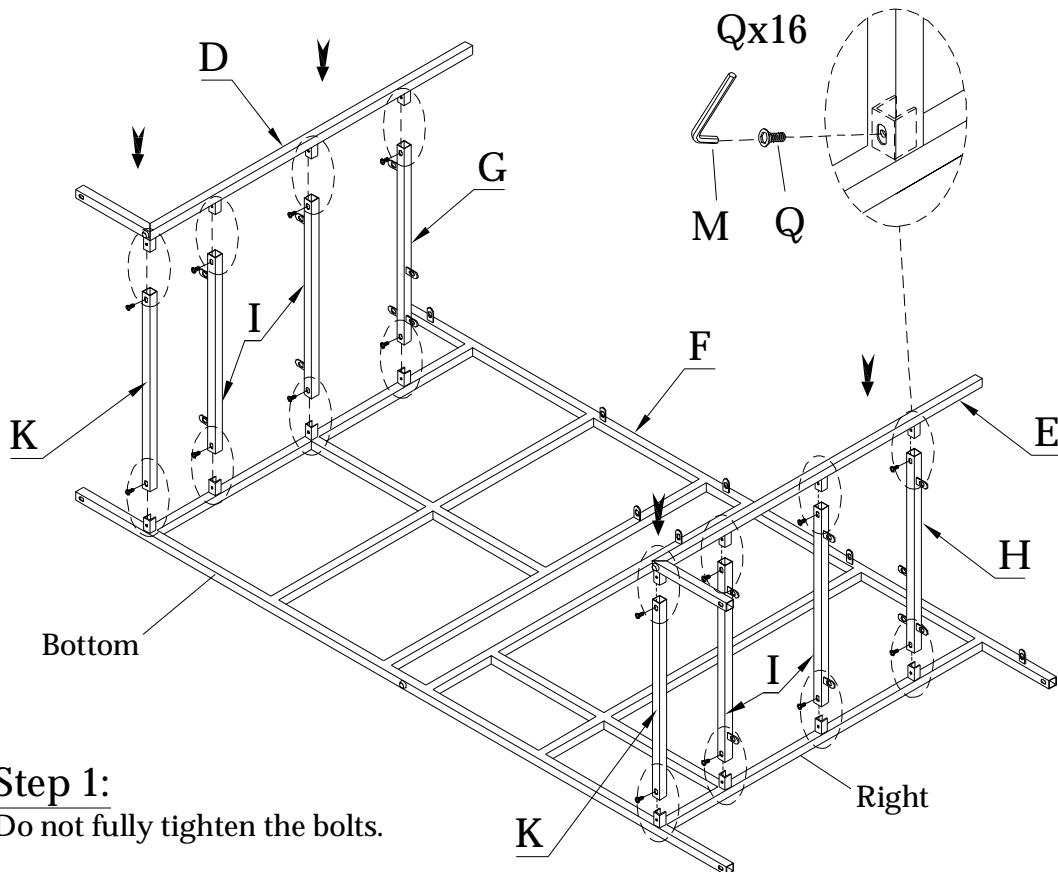
**Components and Hardware List**



#37116

**Sofa Table with 3 stools**

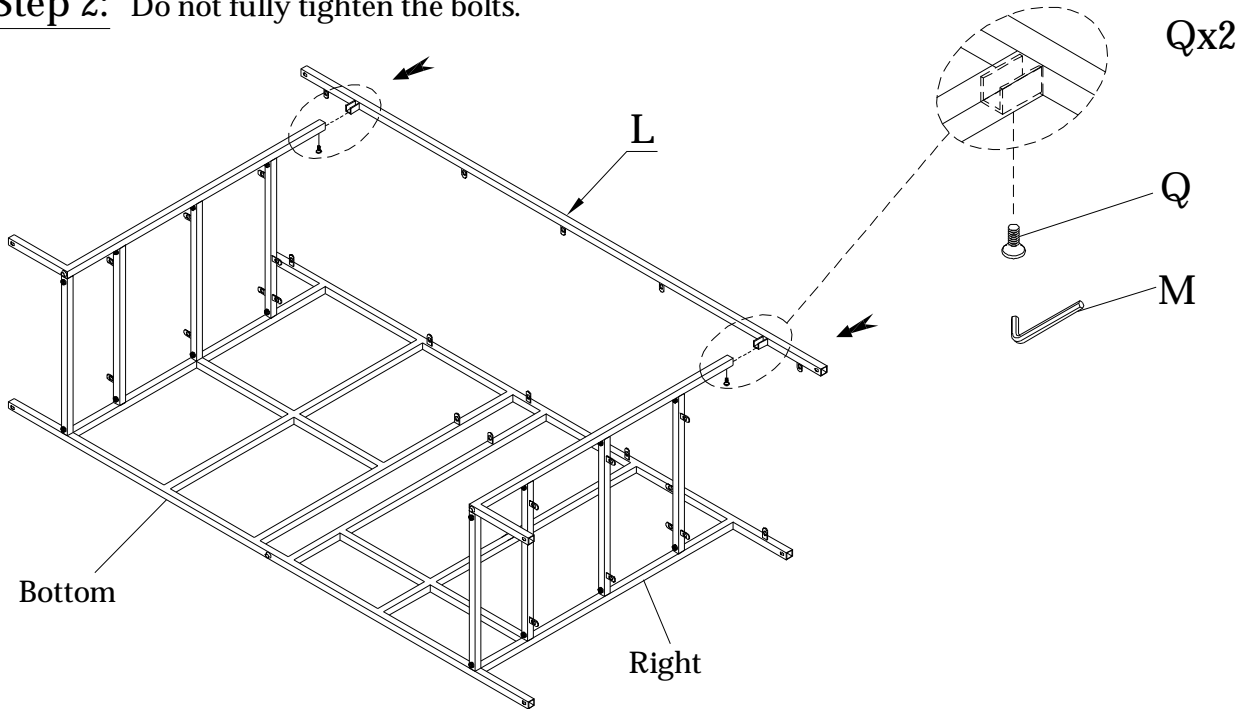
<p>Table Top</p> <p><b>(A)</b> 1 pc.</p>	<p>Middle Shelf</p> <p><b>(B)</b> 1 pc.</p>	<p>Side Shelf</p> <p><b>(C)</b> 6 pcs.</p>	<p>Front Stretcher (Left)</p> <p><b>(D)</b> 1 pc.</p>		
<p>Front Stretcher (Right)</p> <p><b>(E)</b> 1 pc.</p>	<p>Back Frame</p> <p><b>(F)</b> 1 pc.</p>	<p>Upper Stretcher (Left)</p> <p><b>(G)</b> 1 pc.</p>	<p>Upper Stretcher (Right)</p> <p><b>(H)</b> 1 pc.</p>	<p>Stretcher</p> <p><b>(I)</b> 4 pcs.</p>	<p>Side Frame</p> <p><b>(J)</b> 2 pcs.</p>
<p>Lower Stretcher</p> <p><b>(K)</b> 2 pcs.</p>	<p>Upper Front Crossbar</p> <p><b>(L)</b> 1 pc.</p>	<p>M4 Allen Key</p> <p><b>(M)</b> 1 pc.</p>	<p>1/4"-20 x 5/8" Allen Head Bolt</p> <p><b>(N)</b> 44 pcs.</p>	<p>1/4" - Ø12x1mm Spring Washer</p> <p><b>(O)</b> 44 pcs.</p>	<p>1/4" - Ø16x2mm Flat Washer</p> <p><b>(P)</b> 44 pcs.</p>
<p>1/4"-20 x 5/8" Allen Flat Head Bolt</p> <p><b>(Q)</b> 26 pcs.</p>	<p>Furniture Tipping Restraint Kit</p> <p><b>(R)</b> 2 pcs.</p>	<p>Be sure to check all packing material carefully for small parts, which may have come loose inside the carton during shipment. To prevent possible scratches and damage, this furniture should be assembled on a soft surface such as a blanket or carpet.</p>			



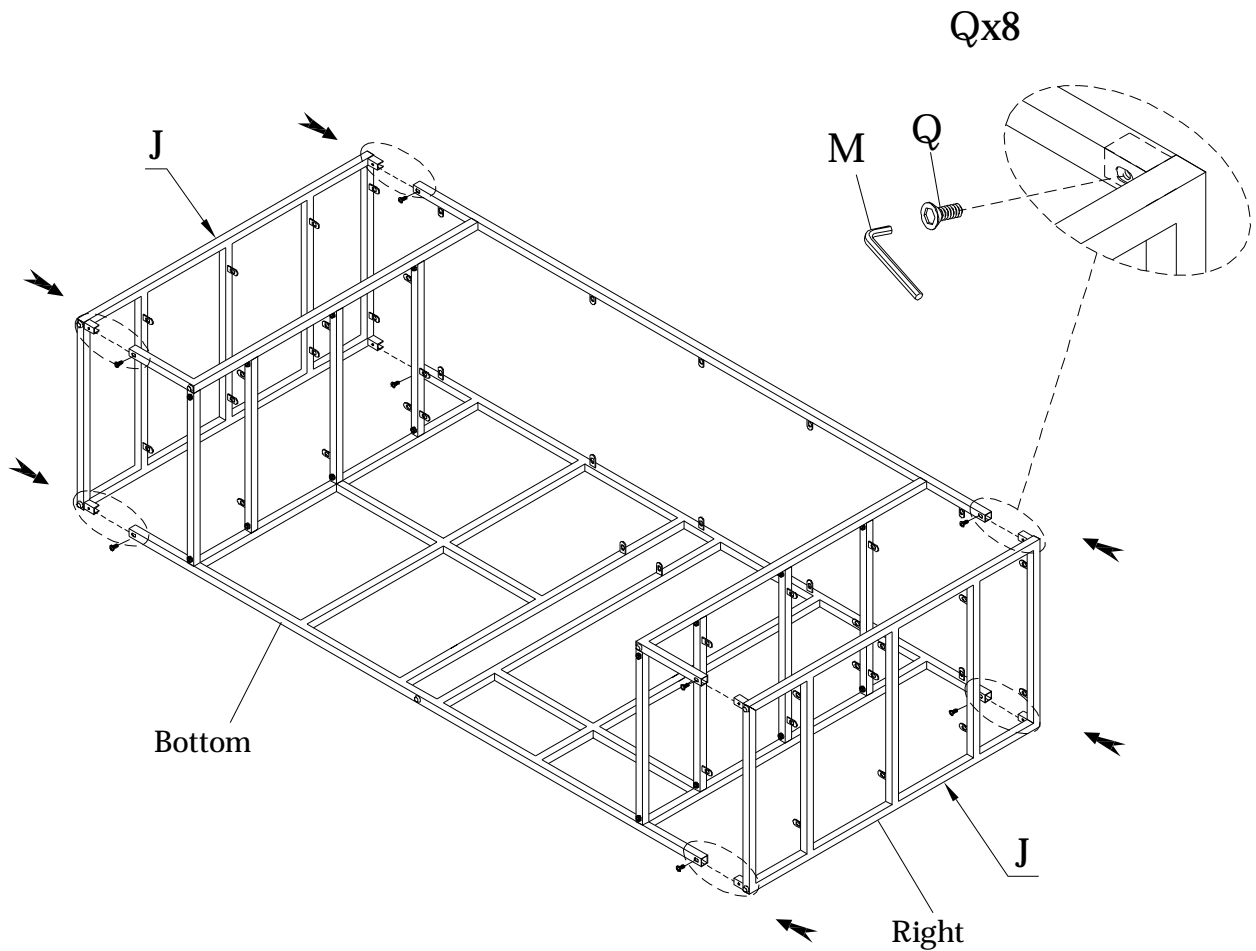
**Step 1:**

Do not fully tighten the bolts.

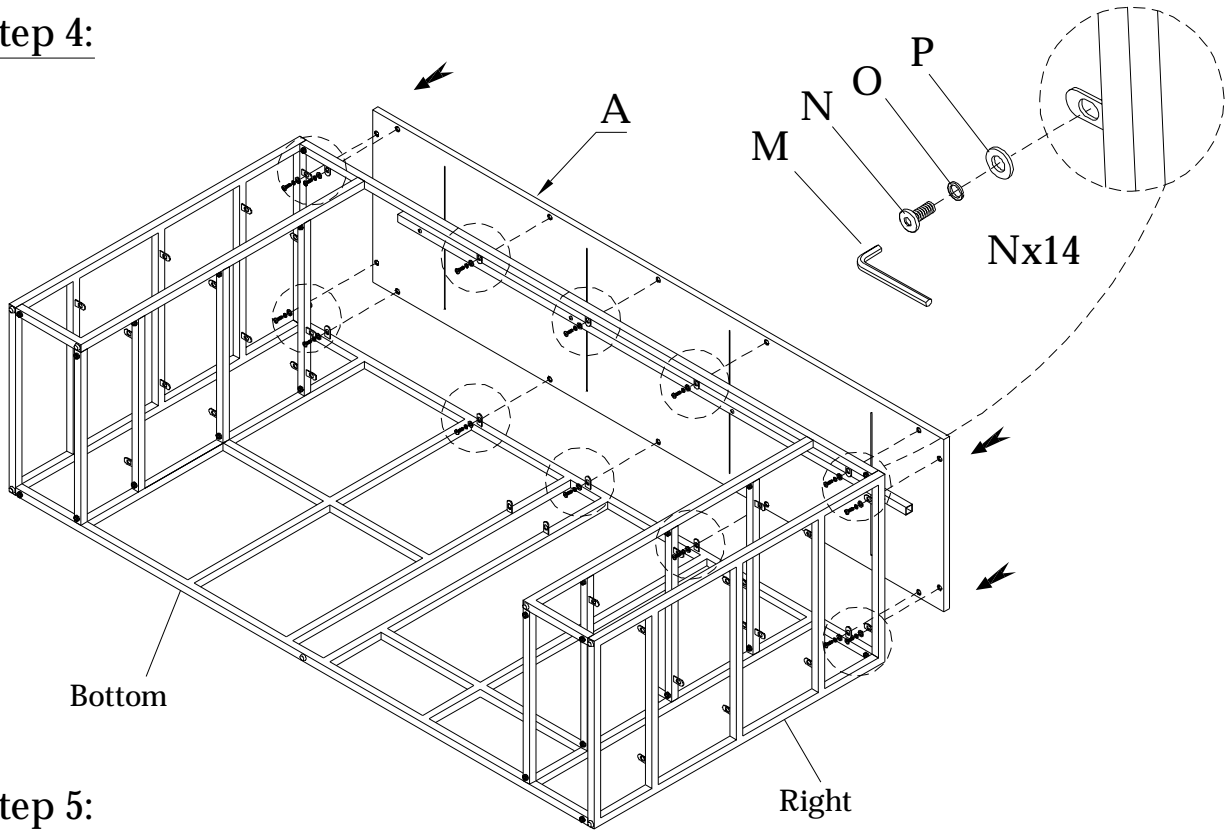
**Step 2:** Do not fully tighten the bolts.



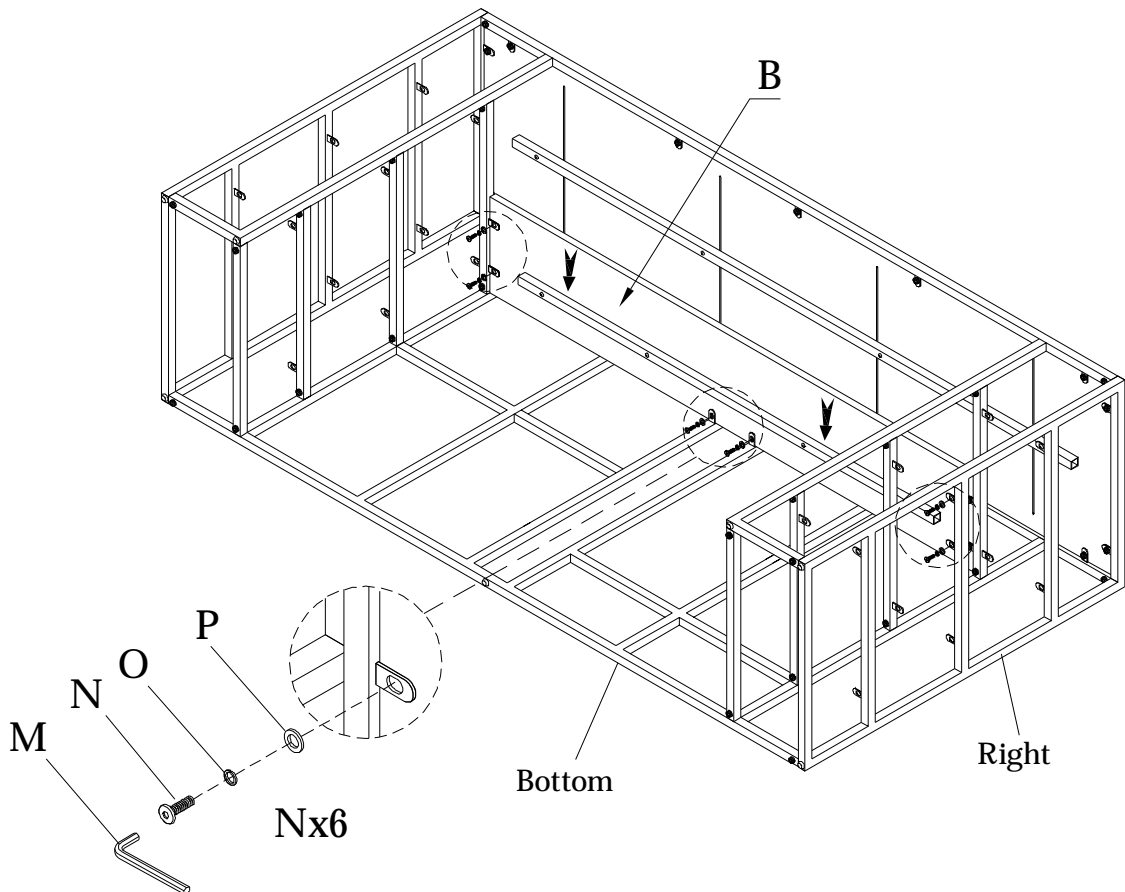
**Step 3:**  
Using the Allen Key tighten all bolts



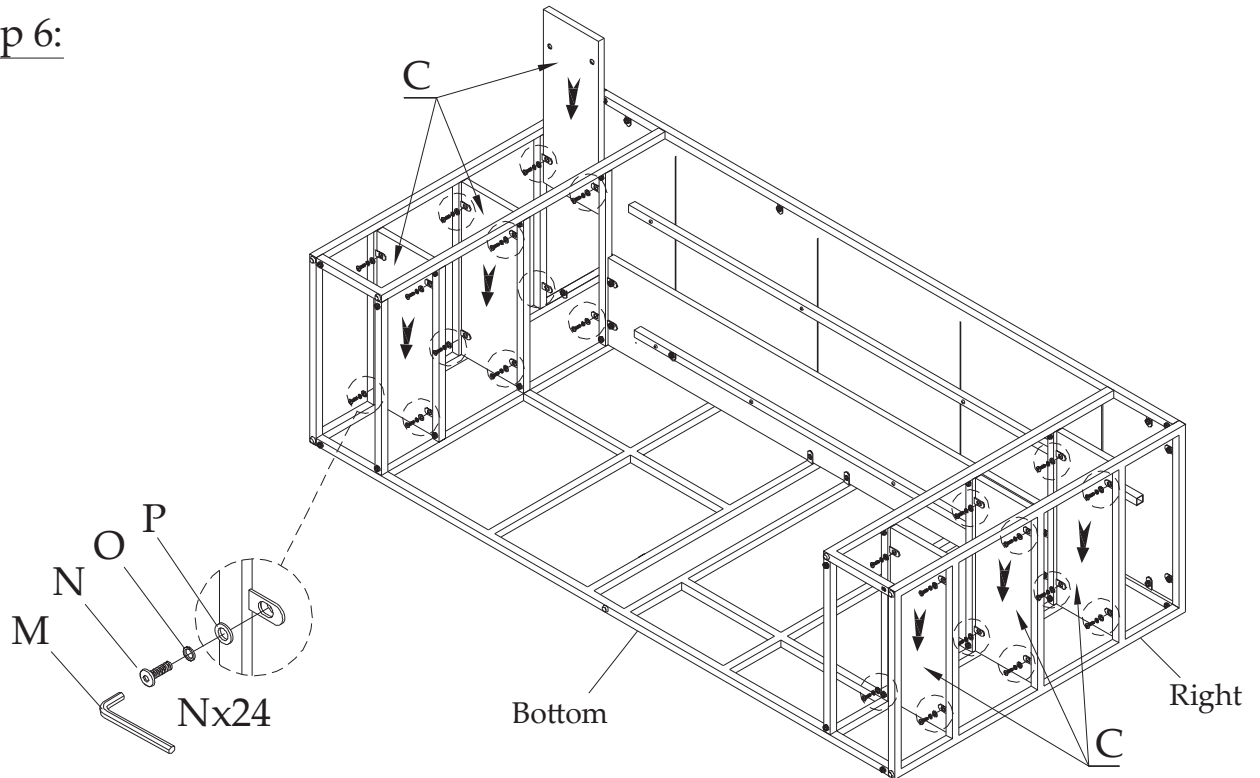
Step 4:



Step 5:



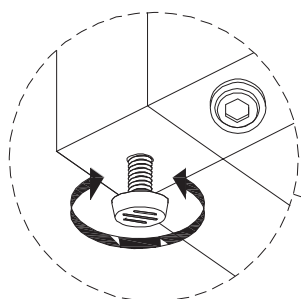
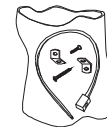
Step 6:



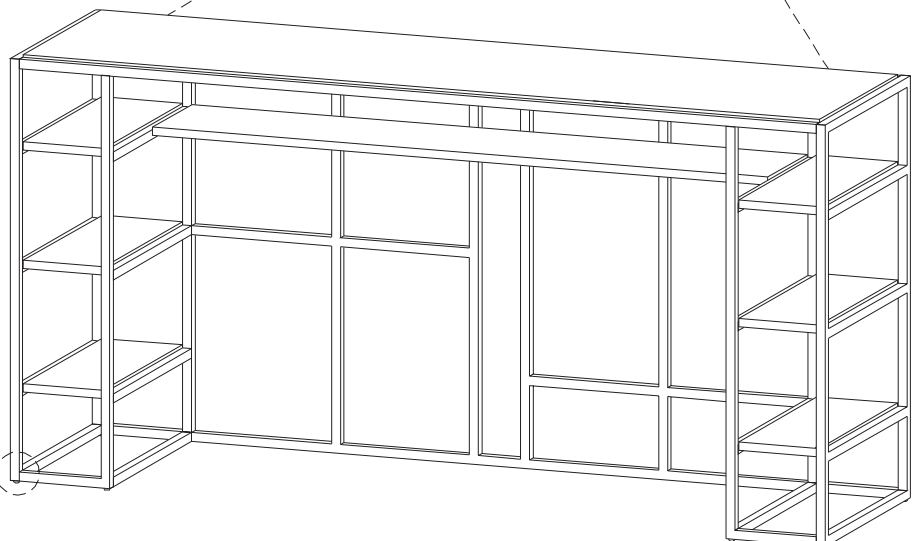
Step 7:

For product and personal safety, furniture tipping restraint kits have been included with this unit which can help to minimize the risk of the unit accidentally tipping forward, if used and properly installed per the kit manufacturer's instructions.

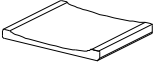
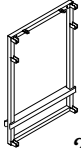






Furniture Tipping Restraint Kit (R)  
(Inside White Plastic Bag)

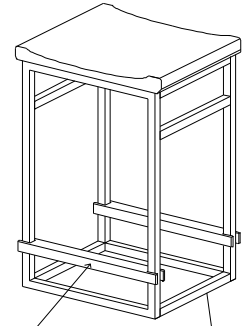


Adjustable Leveler



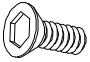
**Components and Hardware List**

Seat Panel	Metal Frame	Upper Crossbar	Lower Crossbar
 <b>(A)</b> 1 pc.	 <b>(B)</b> 2 pcs.	 <b>(C)</b> 2 pcs.	 <b>(D)</b> 4 pcs.
M4 Allen Key  <b>(E)</b> 1 pc.	1/4" - 20 x 5/8" Allen Head Bolt  <b>(F)</b> 10 pcs.	1/4" - Ø12x1mm Spring Washer  <b>(G)</b> 10 pcs.	1/4" - Ø16x2mm Flat Washer  <b>(H)</b> 10 pcs.



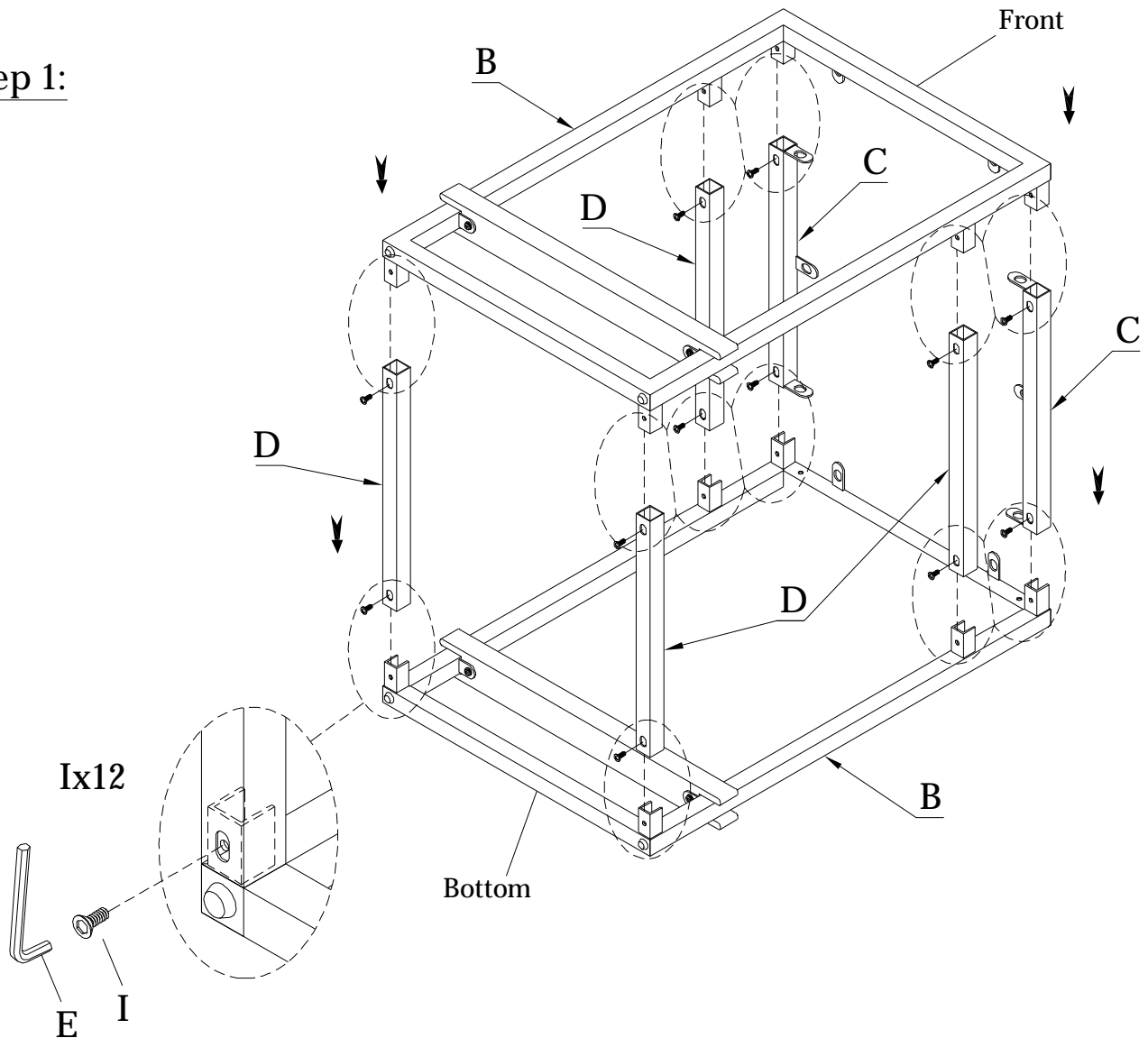
Front Bottom

**#37116**  
**Stool**

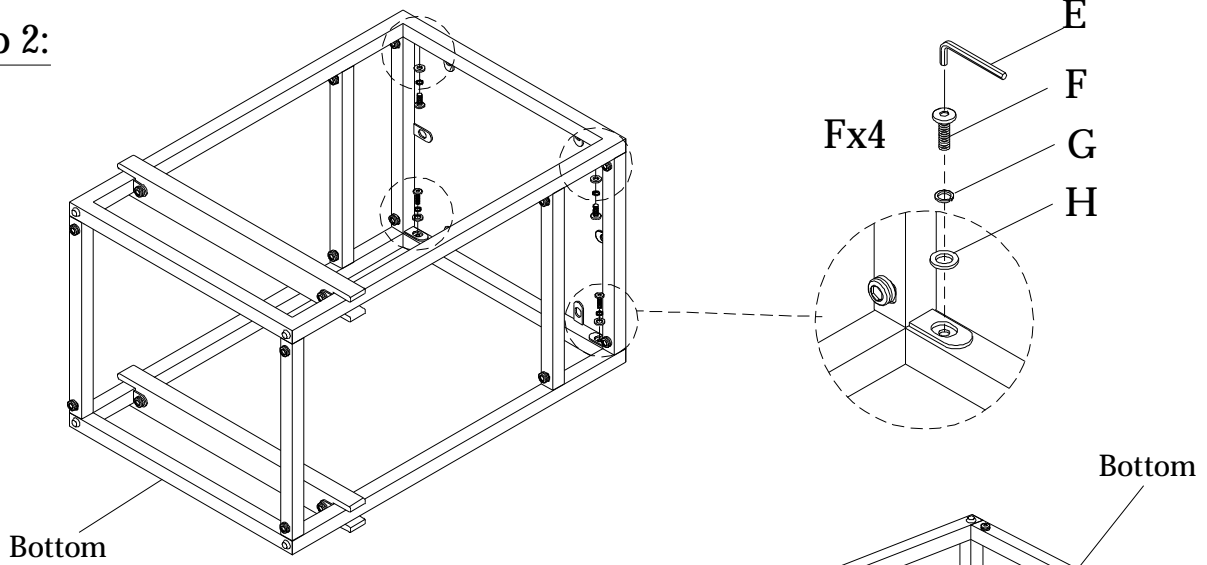
1/4" - 20 x 5/8" Allen Flat Head Bolt  <b>(I)</b> 12 pcs.
--

Be sure to check all packing material carefully for small parts, which may have come loose inside the carton during shipment. To prevent possible scratches and damage, this furniture should be assembled on a soft surface such as a blanket or carpet.

**Step 1:**



Step 2:



Step 3:

