


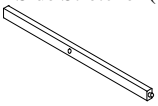
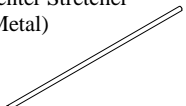
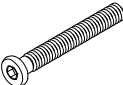

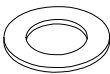

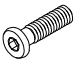


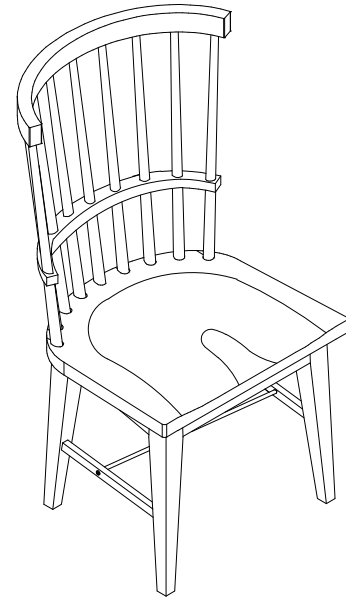


### Components and Hardware List (for one chair)

<b>Chair Back &amp; Seat</b>  <b>A</b> 1 pc.	<b>Front Legs</b>  <b>B</b> 1 pc. Left 1 pc. Right	<b>Back Legs</b>  <b>C</b> 1 pc. Left 1 pc. Right
<b>Side Stretcher (wood)</b>  <b>D</b> 1 pc. Left 1 pc. Right	<b>Center Stretcher (Metal)</b>  <b>E</b> 1 pc.	<b>Bolt <math>\varnothing 5/16-18 \times 2-1/4"</math> L.</b>  <b>F</b> 8 pcs.
<b>Lock Washer <math>\varnothing 5/16"</math></b>  <b>G</b> 8 pcs.	<b>Flat Washer <math>\varnothing 5/16"</math></b>  <b>H</b> 8 pcs.	<b>Allen Wrench 5mm</b>  <b>I</b> 1 pc.
<b>Bolt <math>\varnothing 1/4-20 \times 5/8"</math> L.</b>  <b>J</b> 2 pc.	<b>Allen Wrench 4mm</b>  <b>K</b> 1 pc.	<b>Screw #8 x 1-1/2" Long</b>  <b>L</b> 4 pc.



44452  
Windsor Side Chair 2In

Be sure to check all packing material carefully for small parts, which may have come loose inside the carton during shipment. Separate, count and check all parts against the Components and Hardware List above.

**Step 1:** Place the Chair Back & Seat on a padded surface.

**Step 2:** Assemble the Left, Right and Center

Stretchers (D & E) using the  $\frac{1}{4} \times \frac{5}{8}$ " long Bolts (J), as shown. Do not fully tighten Bolts.

**Step 3:** Assemble the Left and Right Back Legs to the seat using the 2-1/4" long Bolts (F), Lock Washers (G) and Flat Washers (H), as shown. Do not fully tighten Bolts.

**Step 4:** Assemble the Left and Right Front Legs (B) with the assembled Stretchers and Back Legs. Pull the Legs and Stretchers snug together to verify all parts are assembled correctly, having no gaps. Attach the Front Legs using the 2-1/4" long Bolts and the same washers, into the front corners of the Chair Seat.

**Step 5:** Tighten all Bolts using the Allen Wrenches (I & J).

**Step 6:** While pulling the Stretchers snug to the Legs, install the Wood Screws (L), using your Phillips Screwdriver.

