
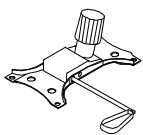
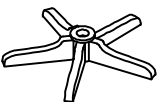
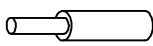
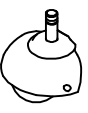
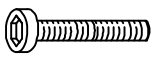


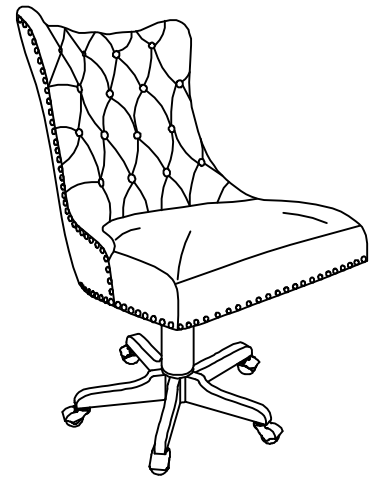



Components and Hardware List

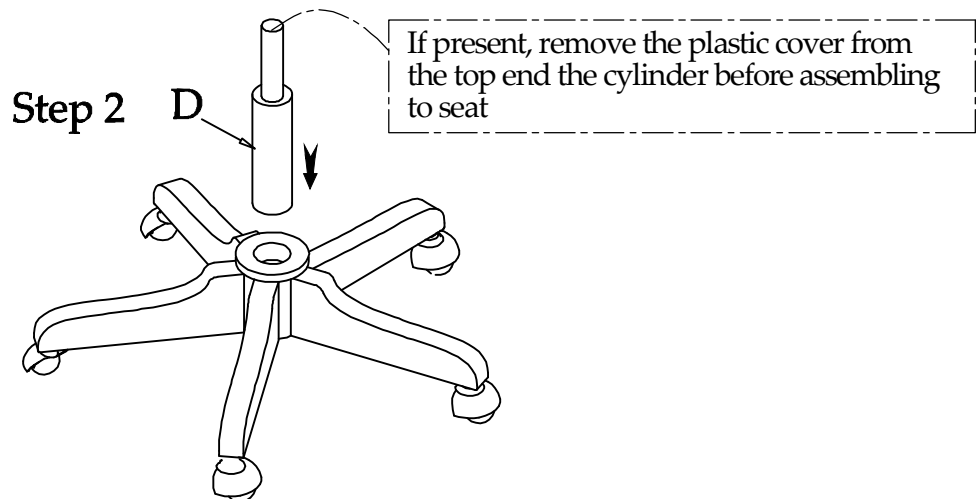
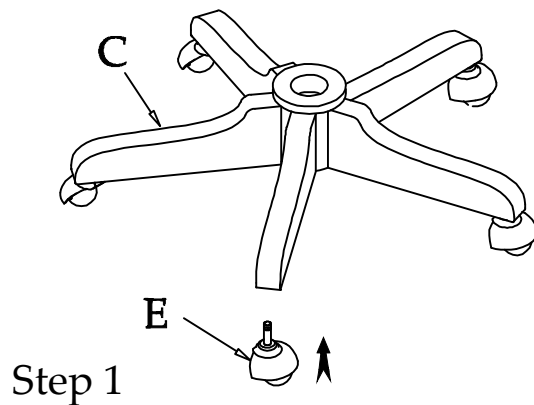
<p>Seat And Back Assembly</p>  <p>(A) 1 pc.</p>	<p>Seat Control</p>  <p>(B) 1 pc.</p>	<p>Leg Frame</p>  <p>(C) 1 pc.</p>	<p>Pneumatic Cylinder</p>  <p>(D) 1 pc.</p>
<p>Caster</p>  <p>(E) 5 pcs.</p>	<p>M5/16" x1" Allen Head Bolt</p>  <p>(F) 4 pcs.</p>	<p>5/16" xØ12x3" Spring Washer</p>  <p>(G) 4 pcs.</p>	<p>5/16" x 19*2mm Flat Washer</p>  <p>(H) 4 pcs.</p>

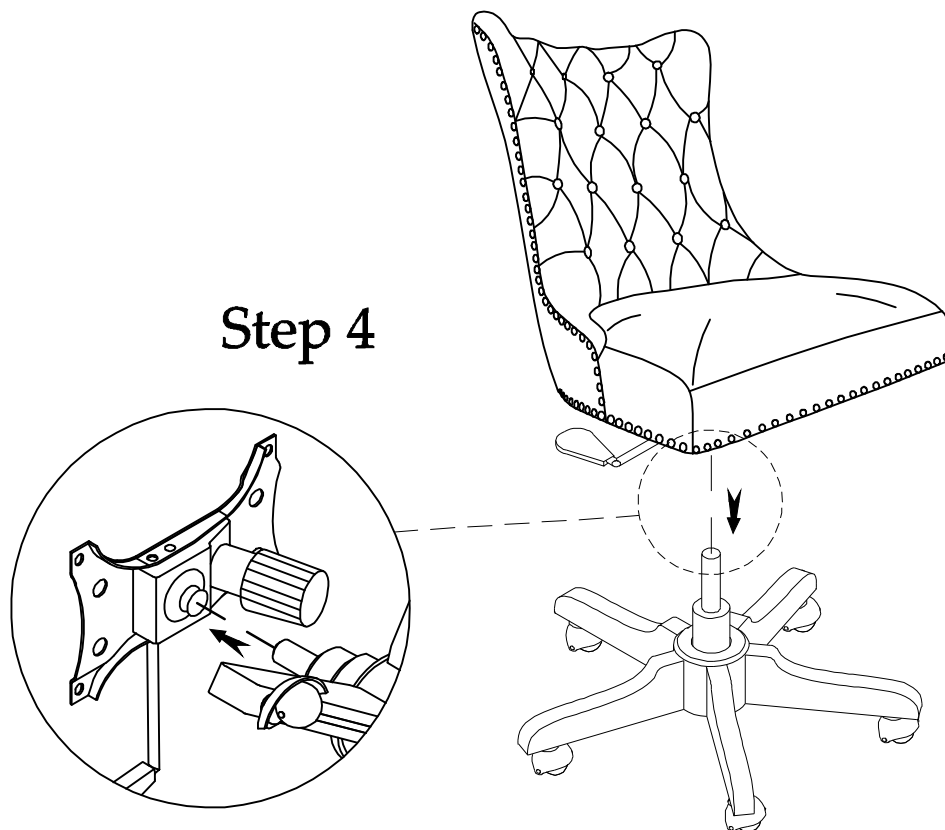
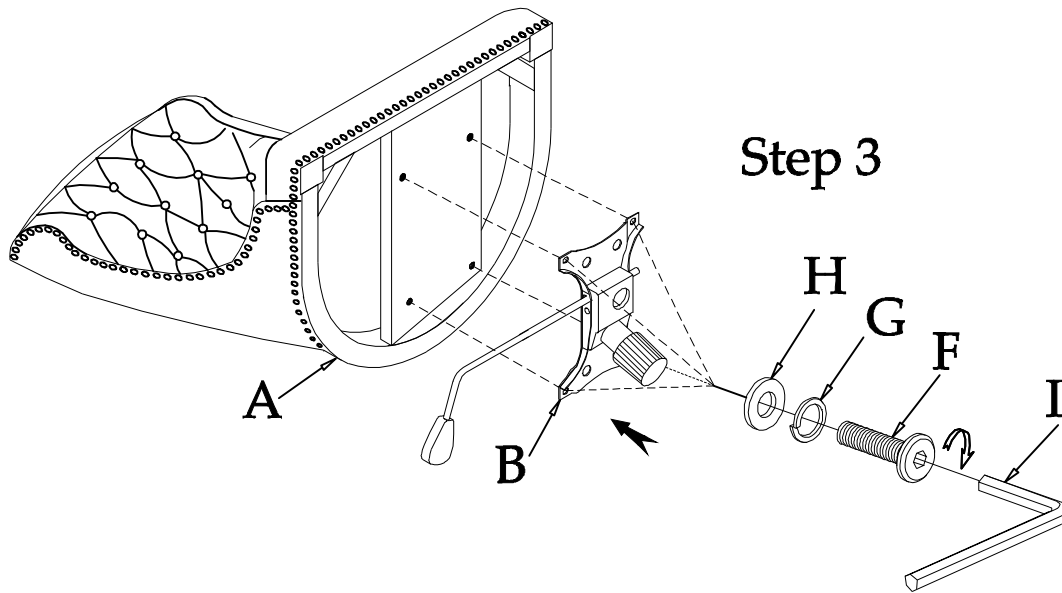


#50238
Desk Chair

<p>5mm Allen Key</p>  <p>(I) 1 pc.</p>

Be sure to check all packing material carefully for small parts, which may have come loose inside the carton during shipment. To prevent scratches or damage, assemble the chair on a soft surface such as a blanket or carpet.





Note: To prevent possible damage to some type of flooring, never roll casters on unprotected hardwood or vinyl flooring. The lift mechanism is in a locked position for shipping. To unlock, pull straight out on the handle, and then the lift cylinder can be activated by lifting the handle.