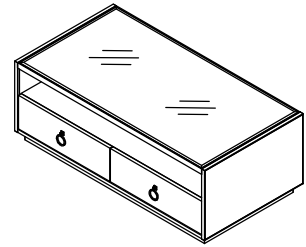


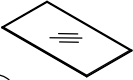
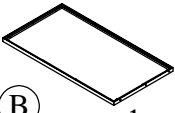
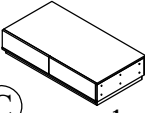
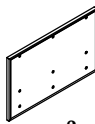





**Warning :**

- Be sure to check all packing material carefully for small parts, which may have come loose inside the carton during shipment.
- To prevent possible scratches and damage, this furniture **MUST BE ASSEMBLED BY TWO PEOPLE** on a soft surface such as a blanket or carpet.

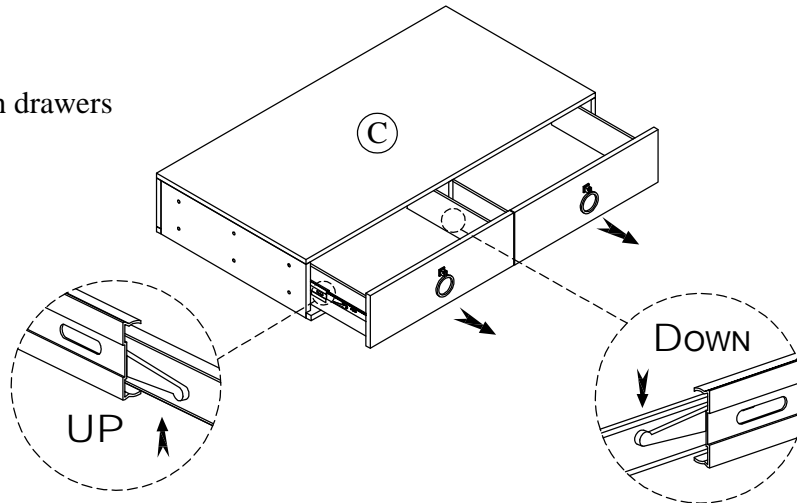


50302  
Rectangle Cocktail Table

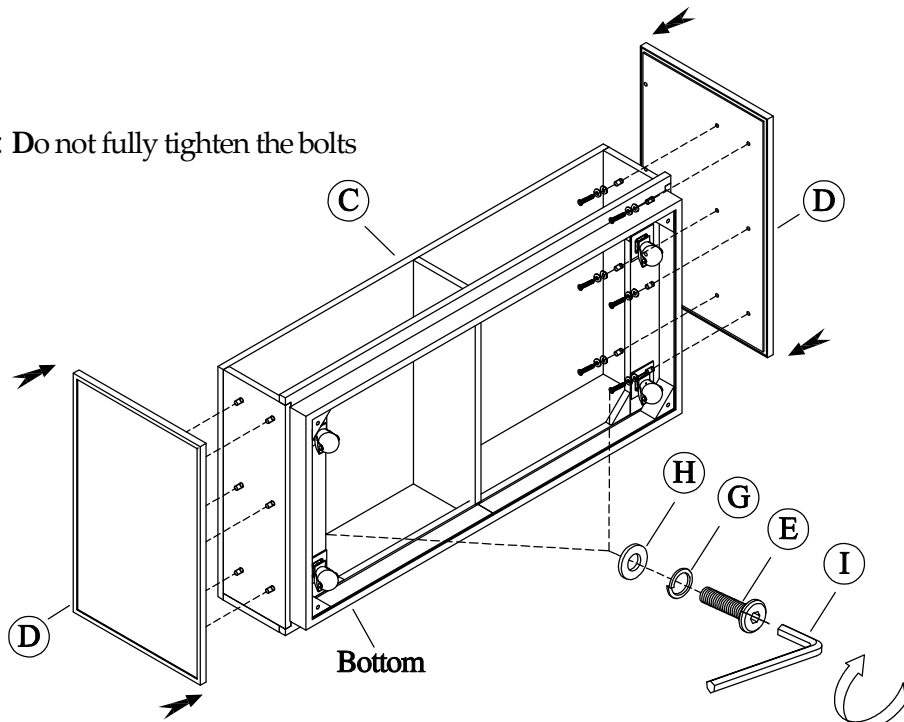
**Components and Hardware List**

<p>Glass</p>  <p>(A) 1 pc.</p>	<p>Top Frame</p>  <p>(B) 1 pc.</p>	<p>Storage Box</p>  <p>(C) 1 pc.</p>	<p>Side Panel</p>  <p>(D) 2 pcs.</p>	<p>Allen Head Bolt 1/4"x 20x 1-1/4"</p>  <p>(E) 12 pcs.</p>
<p>Allen Head Bolt 1/4"x 20x 3/4"</p>  <p>(F) 6 pcs.</p>	<p>Spring Washer 1/4"</p>  <p>(G) 18 pcs.</p>	<p>Flat Washer 1/4" x 16*2mm</p>  <p>(H) 18 pcs.</p>	<p>4mm Allen Key</p>  <p>(I) 1 pc.</p>	

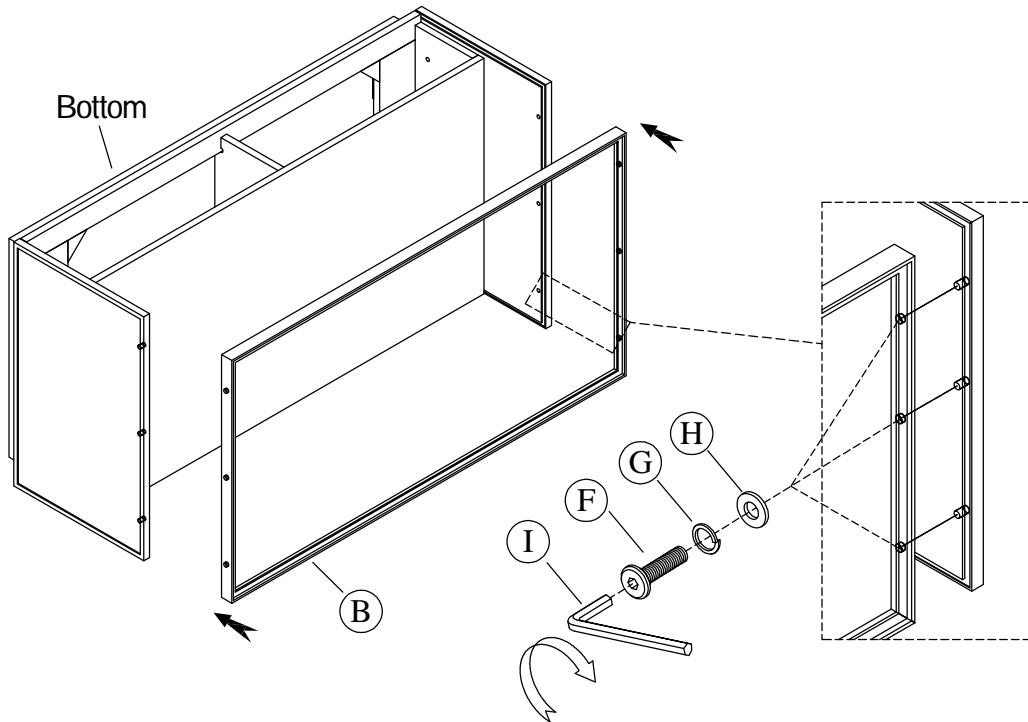
**STEP 1: Remove both drawers**



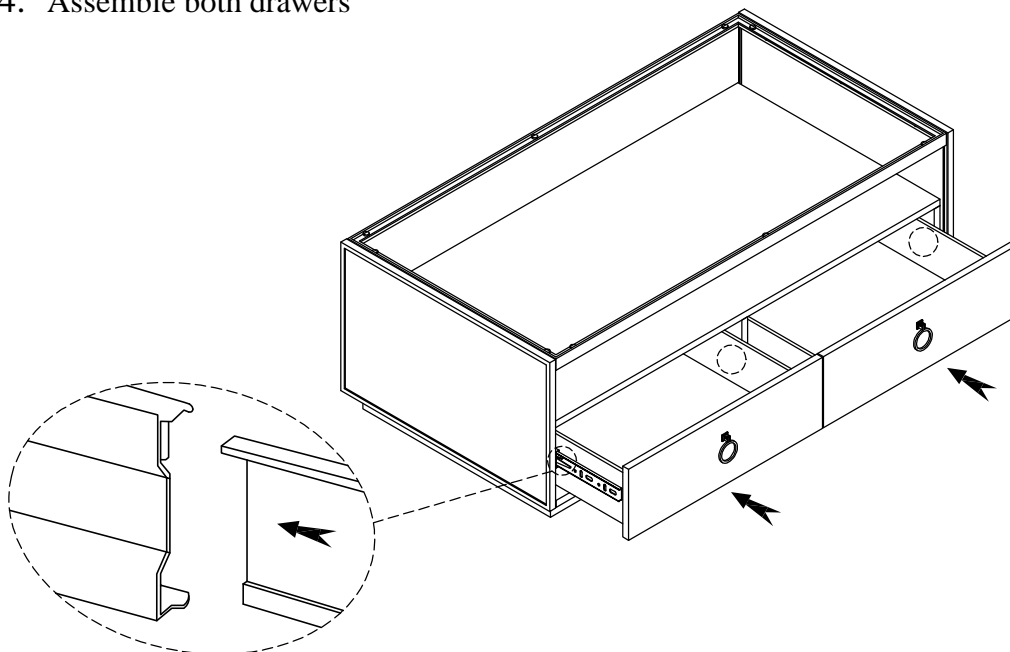
**STEP 2: Do not fully tighten the bolts**



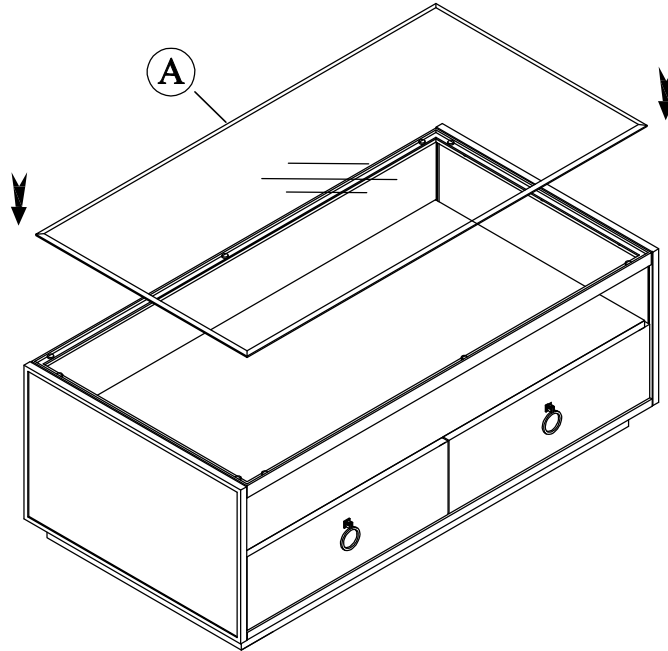
**STEP 3:** Using the Allen key to tighten all bolts



**STEP 4:** Assemble both drawers



STEP 5:



STEP 6:

