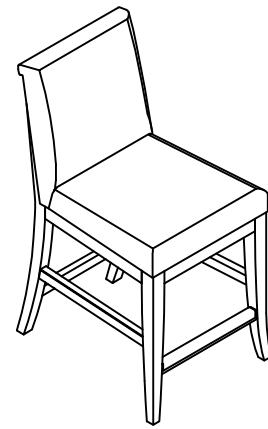


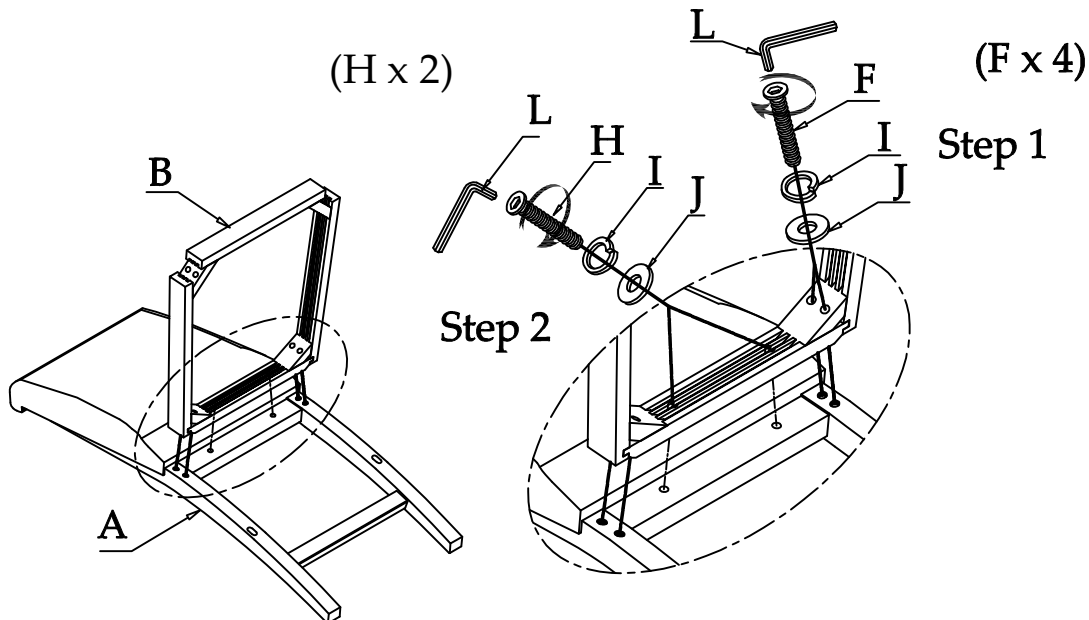
Components and Hardware List (for one chair)



#50359  
UPH Counter Stool 2 in

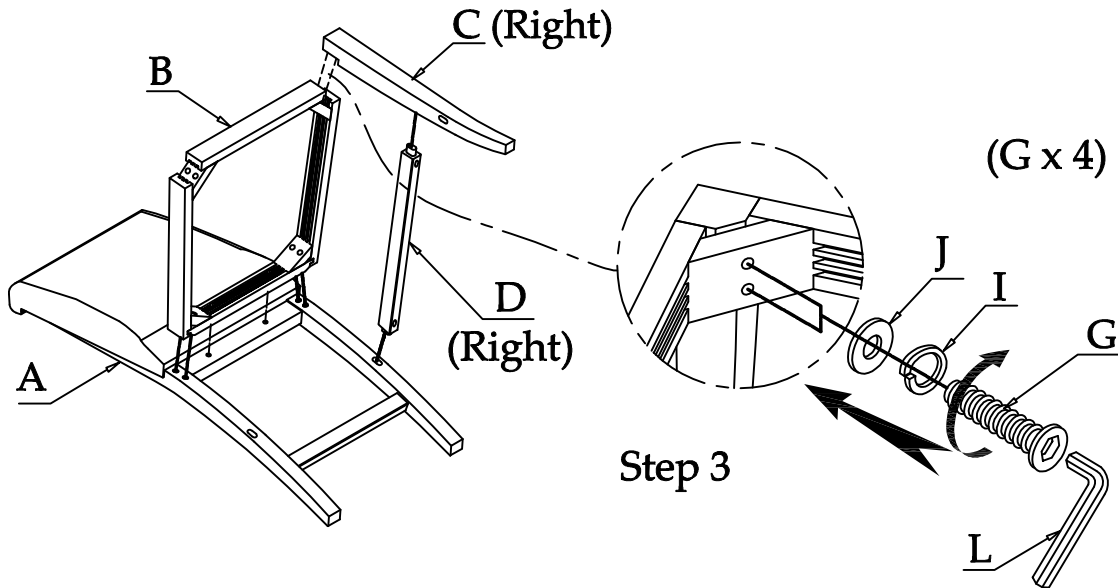
<p><b>Back Assembly</b></p> <p><b>A</b> 1 pc.</p>	<p><b>Chair Seat</b></p> <p><b>B</b> 1 pc.</p>	<p><b>Front Leg</b></p> <p><b>C</b> 1-Left 1-Right</p>	<p><b>Side Stretcher</b></p> <p><b>D</b> 1-Left 1-Right</p>
<p><b>Front Stretcher</b></p> <p><b>E</b> 1 pc.</p>	<p>M5/16"-18 x 3-1/8" Allen Head Bolt</p> <p><b>F</b> 4 pcs.</p>	<p>M5/16"-18 x 2-1/8" Allen Head Bolt</p> <p><b>G</b> 4 pcs.</p>	<p>M5/16"-18 x 1-3/4" Allen Head Bolt</p> <p><b>H</b> 2 pcs.</p>
<p>5/16" Spring Washer</p> <p><b>I</b> 10 pcs.</p>	<p>5/16" x 19 x 2mm Flat Washer</p> <p><b>J</b> 10 pcs.</p>	<p>Ø4 x 1-1/4" Wood Screw</p> <p><b>K</b> 6 pcs.</p>	<p>5mm Allen Wrench</p> <p><b>L</b> 1 pc.</p>

Be sure to check all packing material carefully for small parts, which may have come loose inside the carton during shipment.



**Steps:**

1. Place the Back Assembly (A) on a soft and smooth surface.
2. Attach the Chair Seat (B) to the Back Assembly (A) by using the 3-1/8" long Bolt (F) Spring Washer (I) and Flat Washer (J) into the back corners of the Seat and 1-3/4" long Bolt (H) Spring Washer (I) and Flat Washer (J) into the middle of the Seat, as shown. **Do not fully tighten Bolts until after next step.**



- 3: Install the Right & Left Side Stretchers (D) into the Back Assembly (A) the ends towards the bottom of the legs. Assemble the Front Stretcher (E) between the Front Legs and assemble the Left and Right Front Legs (C) to the Stretchers and the Chair Seat. Pull parts together snug to verify parts are assembled correctly. Attach Legs with the 2-1/8" long Bolts (G), and the same washers as before.
- 4: Set the assembled Chair upright on a flat surface to level chair. Reach underneath the Seat and tighten all Bolts using the Allen Wrench (L).
- 5: While pulling the Legs and Stretchers snugly together and using your Phillips Screwdriver, install the Wood Screws (K) at each end of the Stretchers.

