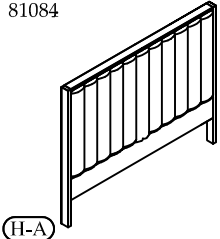


Warning :

- Be sure to check all packing material carefully for small parts, which may have come loose inside the carton during shipment.
- To prevent possible scratches and damage, this furniture **MUST BE ASSEMBLED BY TWO PEOPLE** on a soft surface such as a blanket or carpet.

Components packed with the #81084 Headboard

King Upholstered Headboard
81084

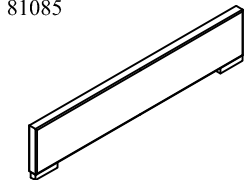


(H-A)

1 pc.

Hardware and Parts packed with the Footboard

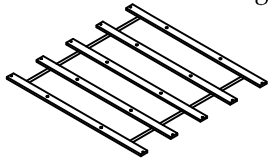
King Upholstered Footboard
81085



(F-A)

1 pc.

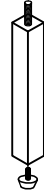
Wood Slat
79" Long



(F-B)

1 Set.

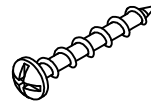
Support Leg
14-5/8" x 1-1/8" x 1-1/8"



(F-C)

10 pcs

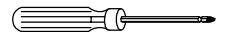
Wood Screw
Ø4 x 30mm



(F-D)

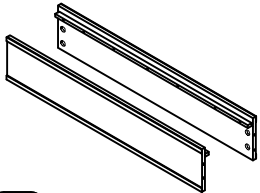
10 pcs

Screw Driver
not included



Hardware and Parts packed with the Bed Rails

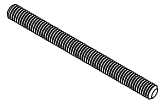
Upholstered SideRails - 81082



(R-A)

2 pcs

All-Thread Bolt
Ø5/16"-18 x 3-1/2"



(R-B)

8 pcs.

Arc Washer
37x17mm



(R-C)

8 pcs.

Spring Washer
Ø5/16" x Ø13mm



(R-D)

8 pcs.

Flat Washer
Ø5/16" x Ø16mm



(R-E)

8 pcs.

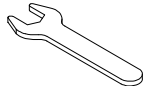
Hex Nut
Ø5/16"x18mm



(R-F)

8 pcs.

Open Wrench
12 mm



(R-G)

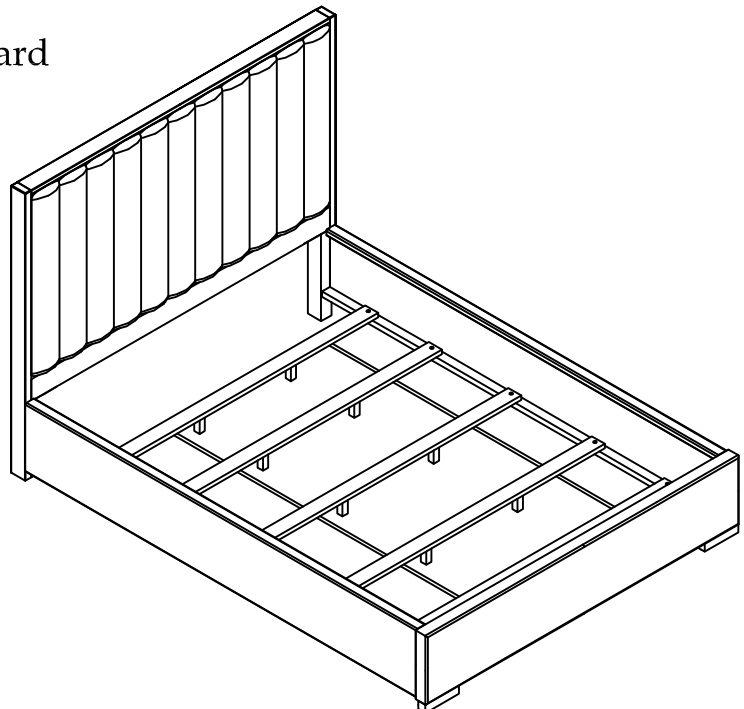
1 pc.

6/0-6/6 Upholstered King Bed

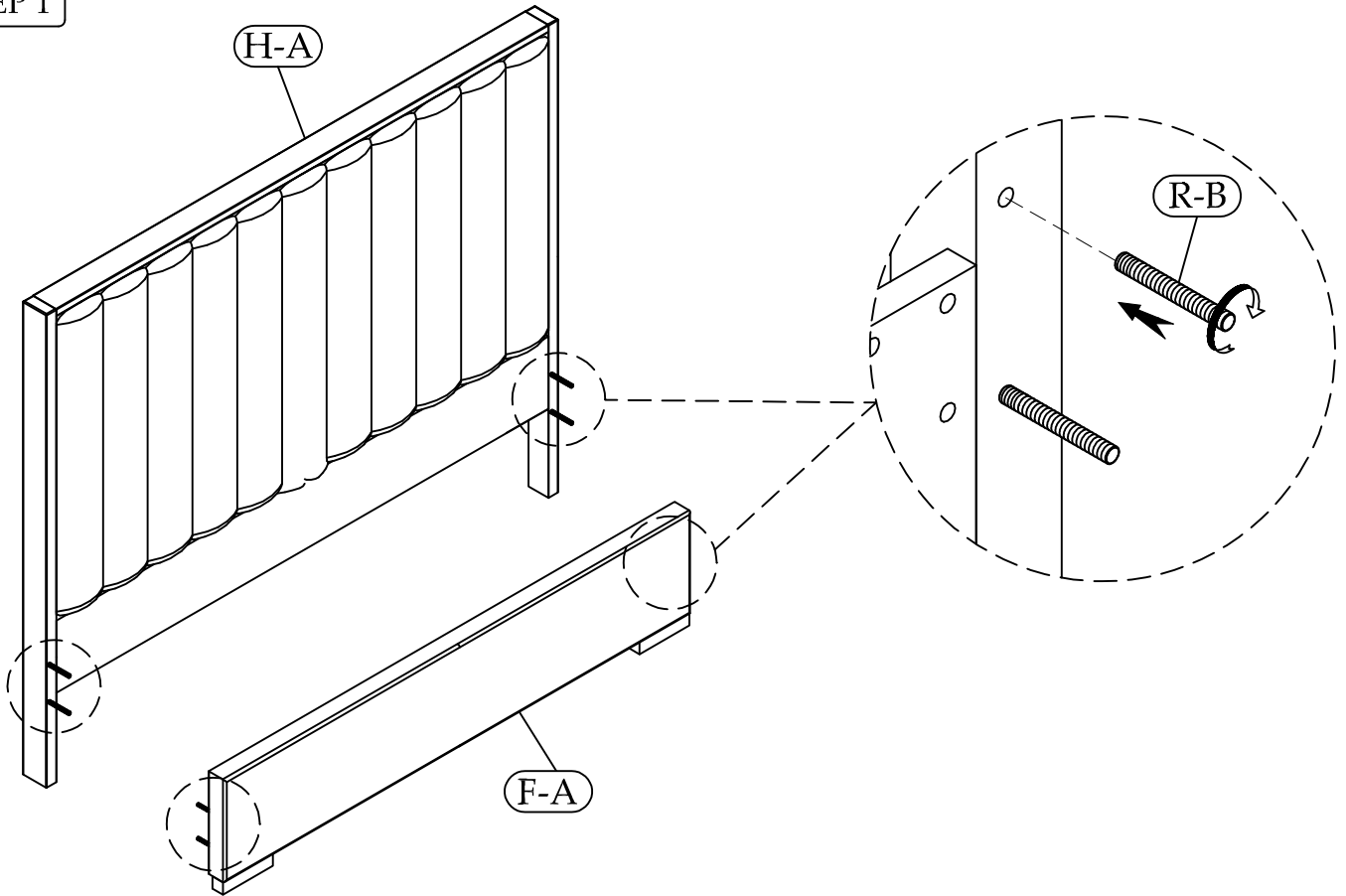
81084 -- 6/0 - 6/6 Upholstered Headboard

81085 -- 6/6 - Upholstered Footboard

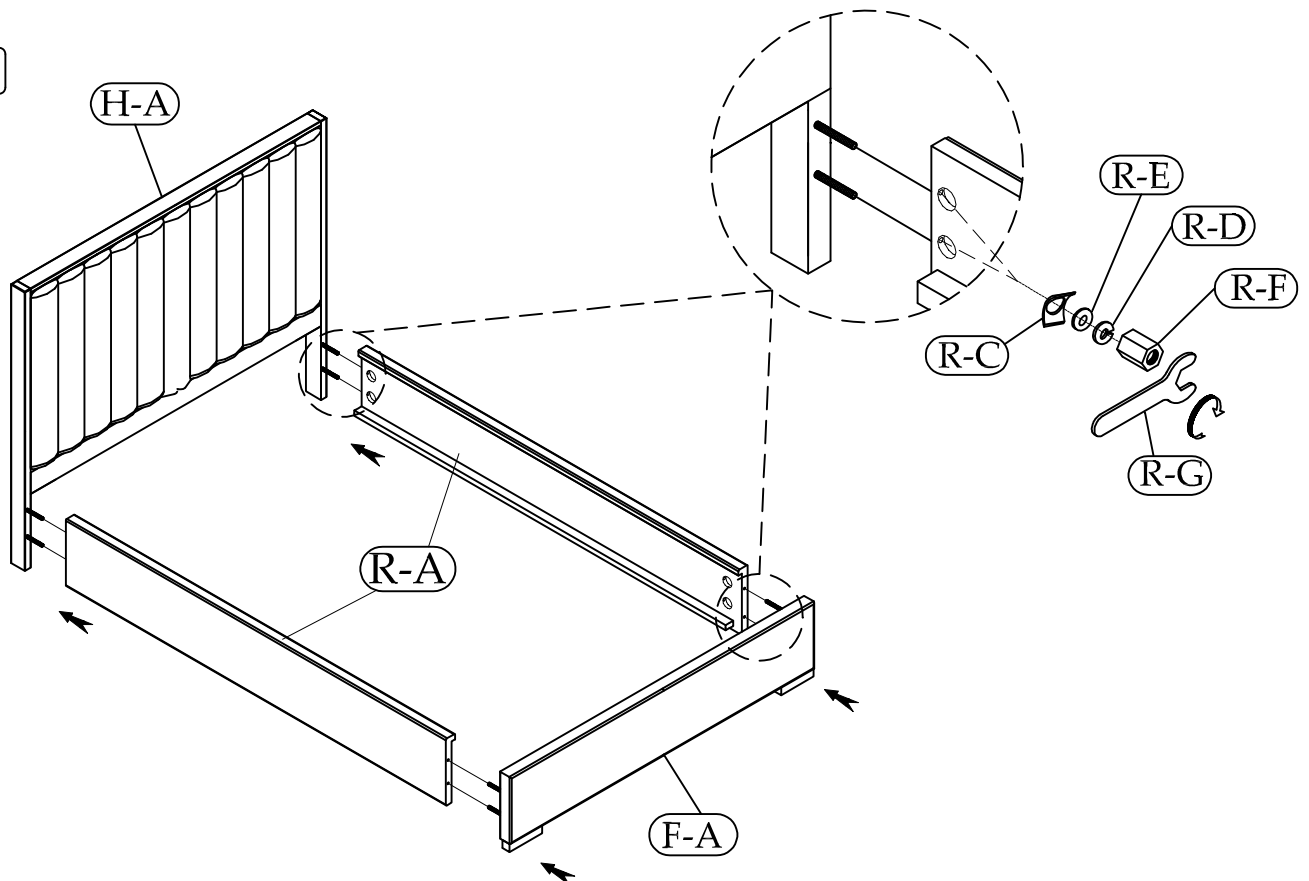
81082 -- 5/0 - 6/6 Upholstered SideRails



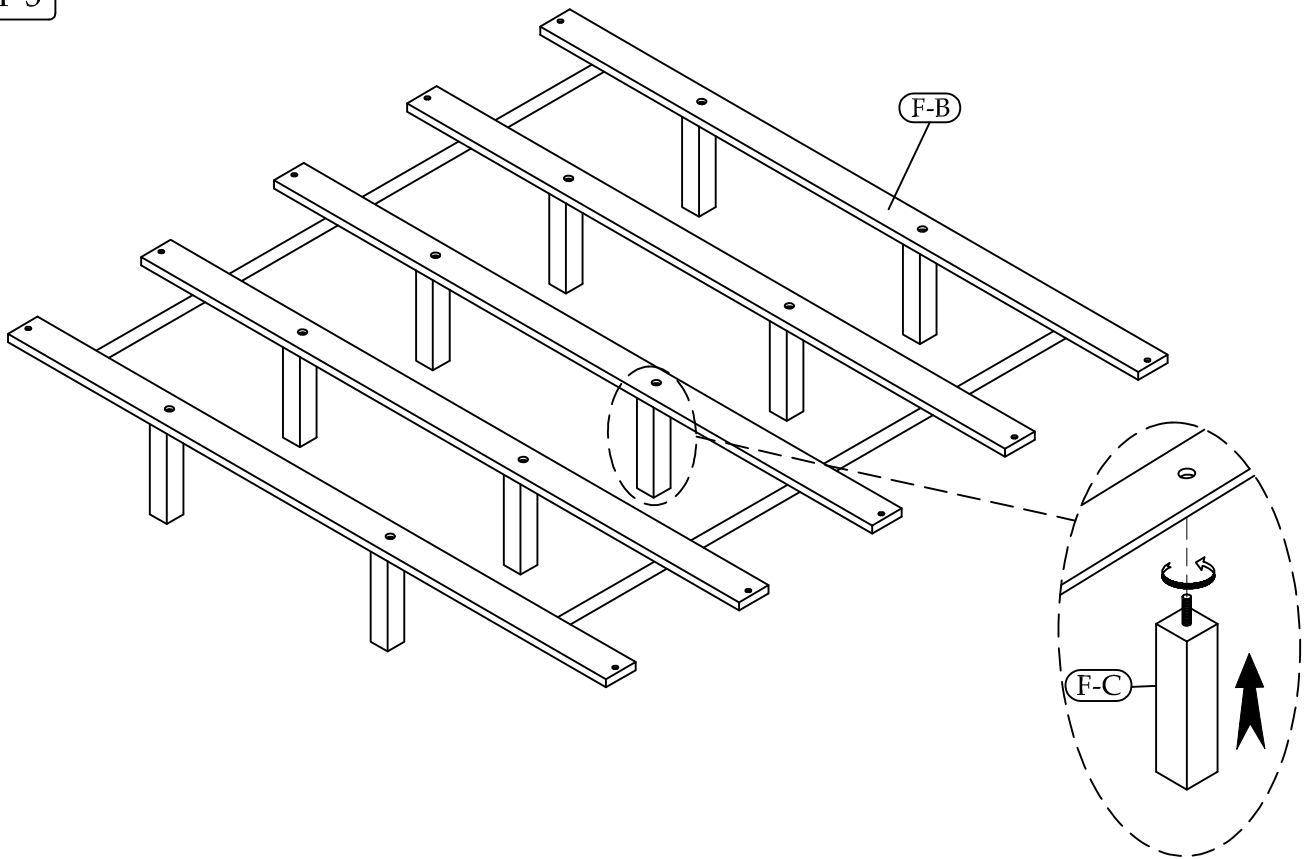
STEP 1



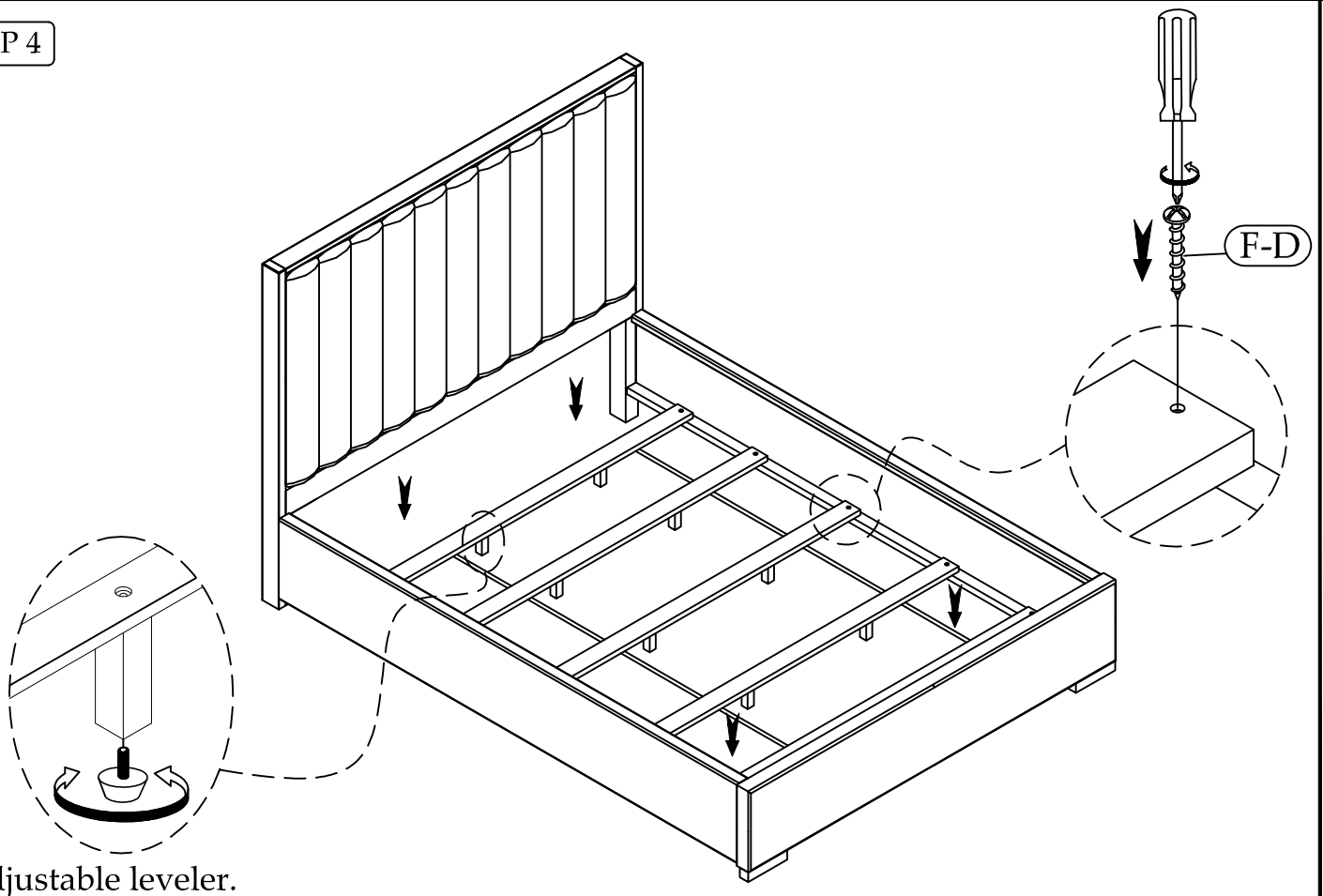
STEP 2



STEP 3



STEP 4



Adjustable leveler.