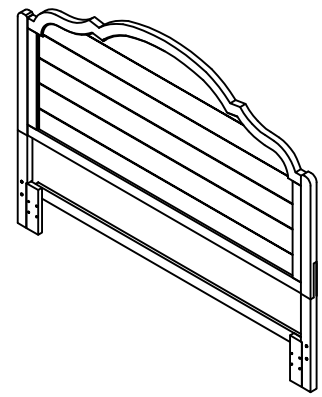


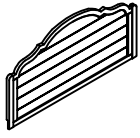







Components and Hardware List



#17280

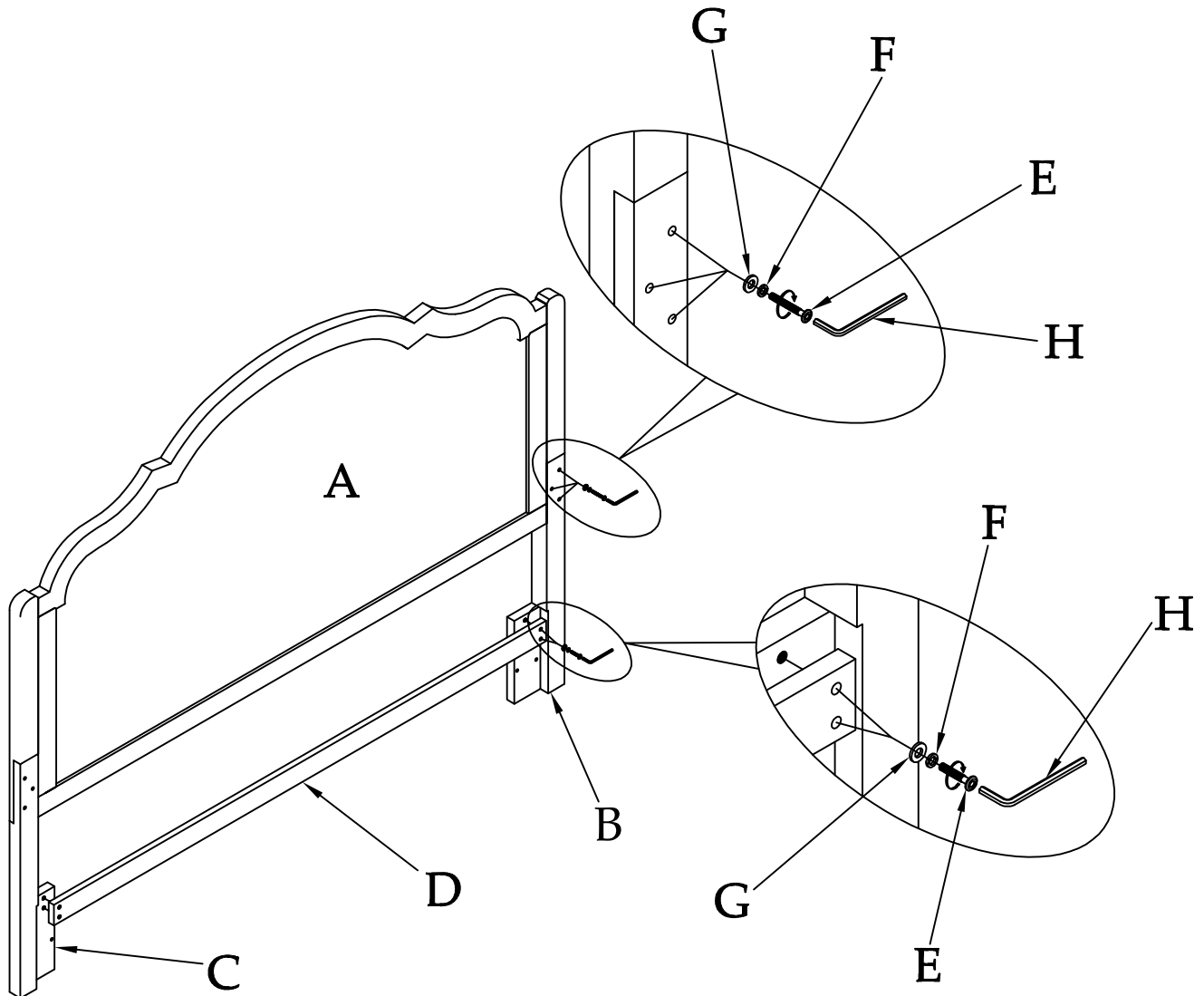
6/0-6/6

Panel Headboard

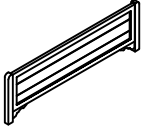
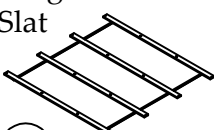
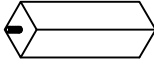

<p>Panel</p>  <p>(A) 1 pc.</p>	<p>Left Post</p>  <p>(B) 1 pc.</p>	<p>Right Post</p>  <p>(C) 1 pc.</p>	<p>Stretcher</p>  <p>(D) 1 pc.</p>
<p>Ø1/4 x 1-1/2" Allen Head Bolt</p>  <p>(E) 10 pcs.</p>	<p>1/4" Spring Washer</p>  <p>(F) 10 pcs.</p>	<p>1/4" x 18 x 2mm Flat Washer</p>  <p>(G) 10 pcs.</p>	<p>4mm Allen Wrench</p>  <p>(H) 1 pc.</p>

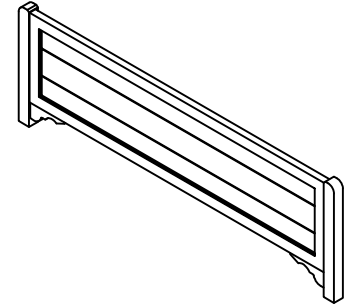
Be sure to check all packing material carefully for small parts, which may have come loose inside the carton during shipment.

To prevent possible scratches and damage, this furniture should be assembled on a soft surface such as a blanket or carpet.



Components and Hardware List

<p>Footboard</p>  <p>ⓐ 1 pc.</p>	<p>King Roll Slat</p>  <p>ⓑ 1 set (4 pcs).</p>	<p>Slat Support Leg</p>  <p>ⓒ 8 pc.</p>	<p>Screw Ø8 x 1"</p>  <p>ⓓ 8 pcs.</p>
---	---	--	---



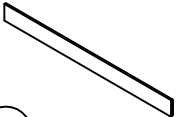

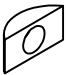



#17281

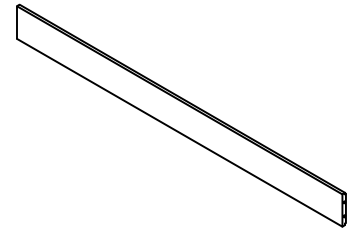
6/0-6/6

Panel Footboard

Be sure to check all packing material carefully for small parts, which may have come loose inside the carton during shipment.

To prevent possible scratches and damage, this furniture should be assembled on a soft surface such as a blanket or carpet.

<p>Q/K Side Rails</p>  <p>Ⓜ 2 pcs.</p>	<p>All-Thread Bolt Ø5/16x3-1/2"</p>  <p>Ⓝ 8 pcs.</p>	<p>5/16" Curved Washer</p>  <p>Ⓞ 8 pcs.</p>	<p>5/16" Spring Washer</p>  <p>Ⓟ 8 pcs.</p>
<p>Hex Nut Ø5/16x12mm</p>  <p>Ⓠ 8 pcs.</p>	<p>Open Wrench 12mm</p>  <p>Ⓡ 1 pc.</p>		



#17272

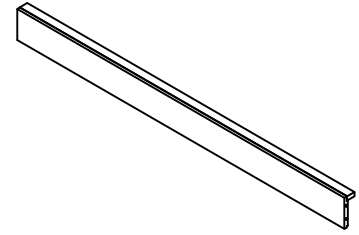
5/0-6/6

Panel Bed Rails

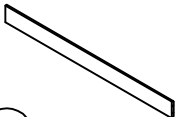


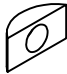







Be sure to check all packing material carefully for small parts, which may have come loose inside the carton during shipment.

To prevent possible scratches and damage, this furniture should be assembled on a soft surface such as a blanket or carpet.

Components and Hardware List



#17282
6/0
Panel Bed Rails

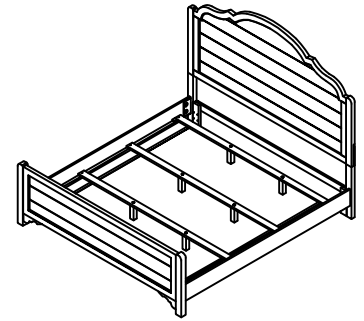
CK Side Rails  (M) 2 pcs.	Top Rail  (N) 2 pcs.	All-Thread Bolt  (O) 8 pcs.	Curved Washer  (P) 8 pcs.
5/16" Spring Washer  (Q) 8 pcs.	Hex Nut Ø5/16x12mm  (R) 8 pcs.	Open Wrench 12mm  (S) 1 pc.	Ø1/4 x 2-1/4" Allen Head Bolt  (T) 16 pcs.
1/4" Spring Washer  (U) 16 pcs.	1/4" x 18 x 2mm Flat Washer  (V) 16 pcs.	4mm Allen Wrench  (W) 1 pc.	

Be sure to check all packing material carefully for small parts, which may have come loose inside the carton during shipment.

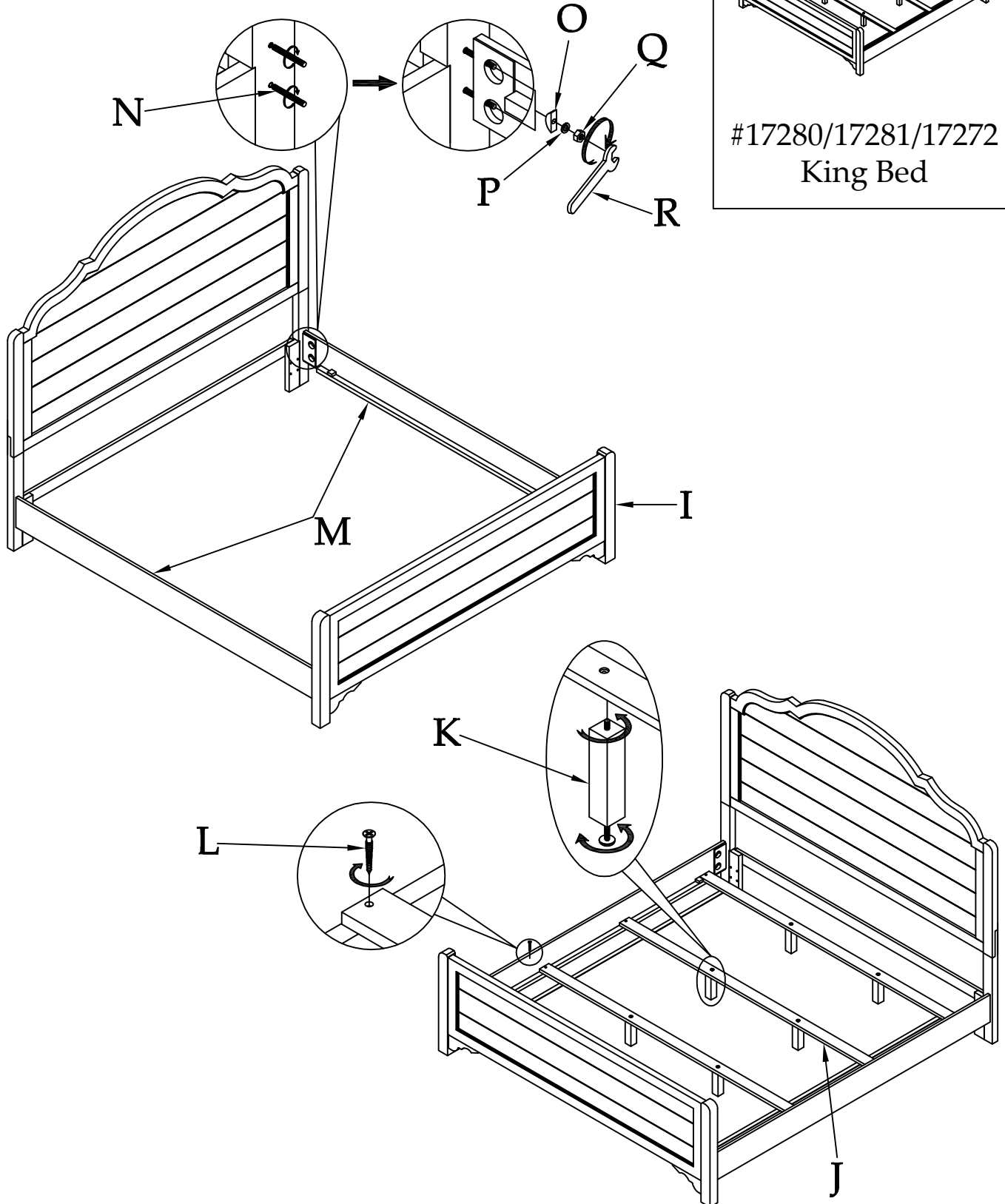
To prevent possible scratches and damage, this furniture should be assembled on a soft surface such as a blanket or carpet.

Be sure to check all packing material carefully for small parts, which may have come loose inside the carton during shipment.

To prevent possible scratches and damage, this furniture should be assembled on a soft surface such as a blanket or carpet.

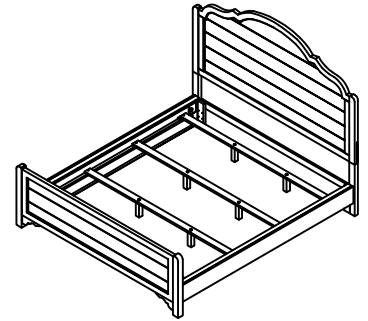


#17280/17281/17272
King Bed

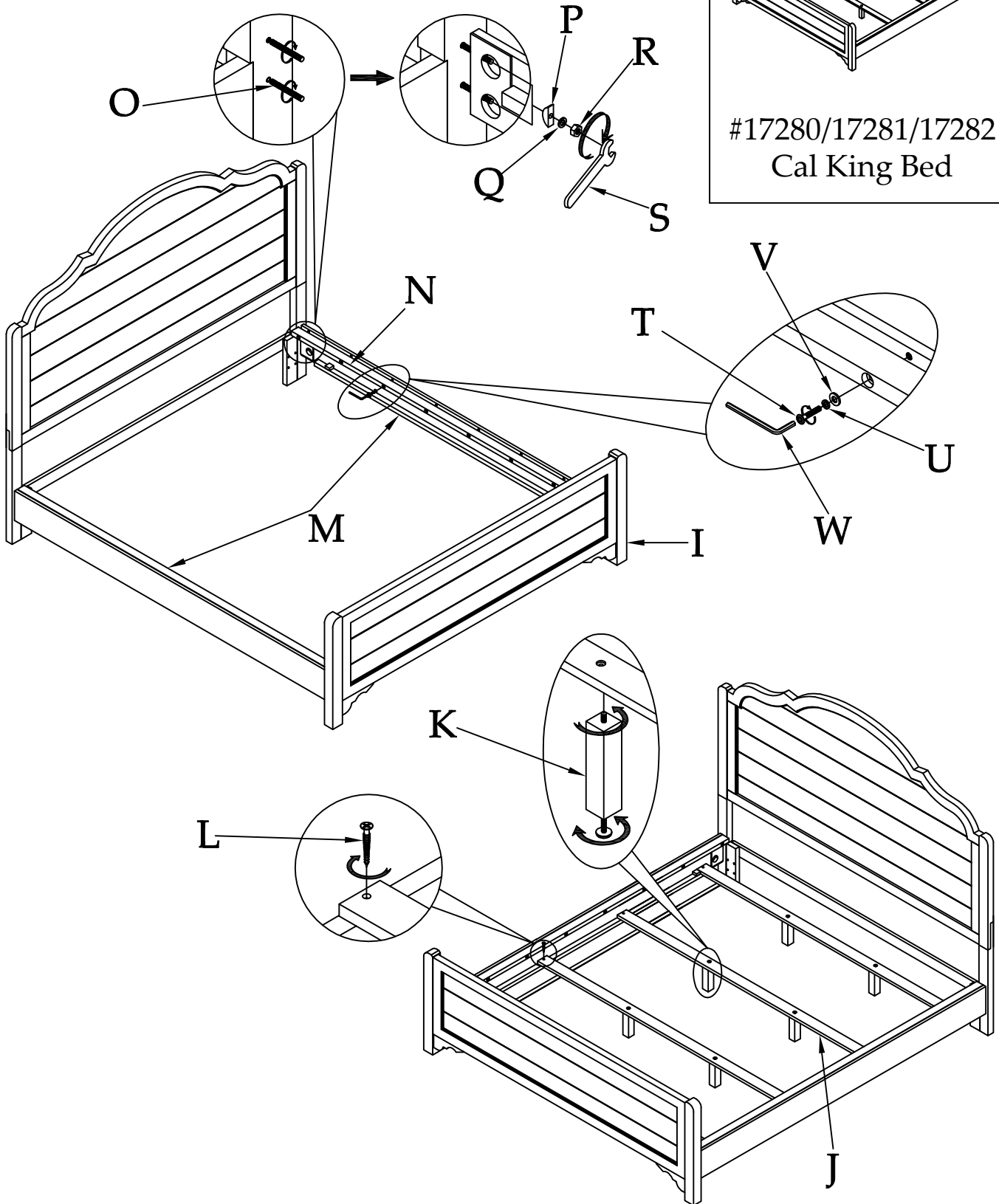


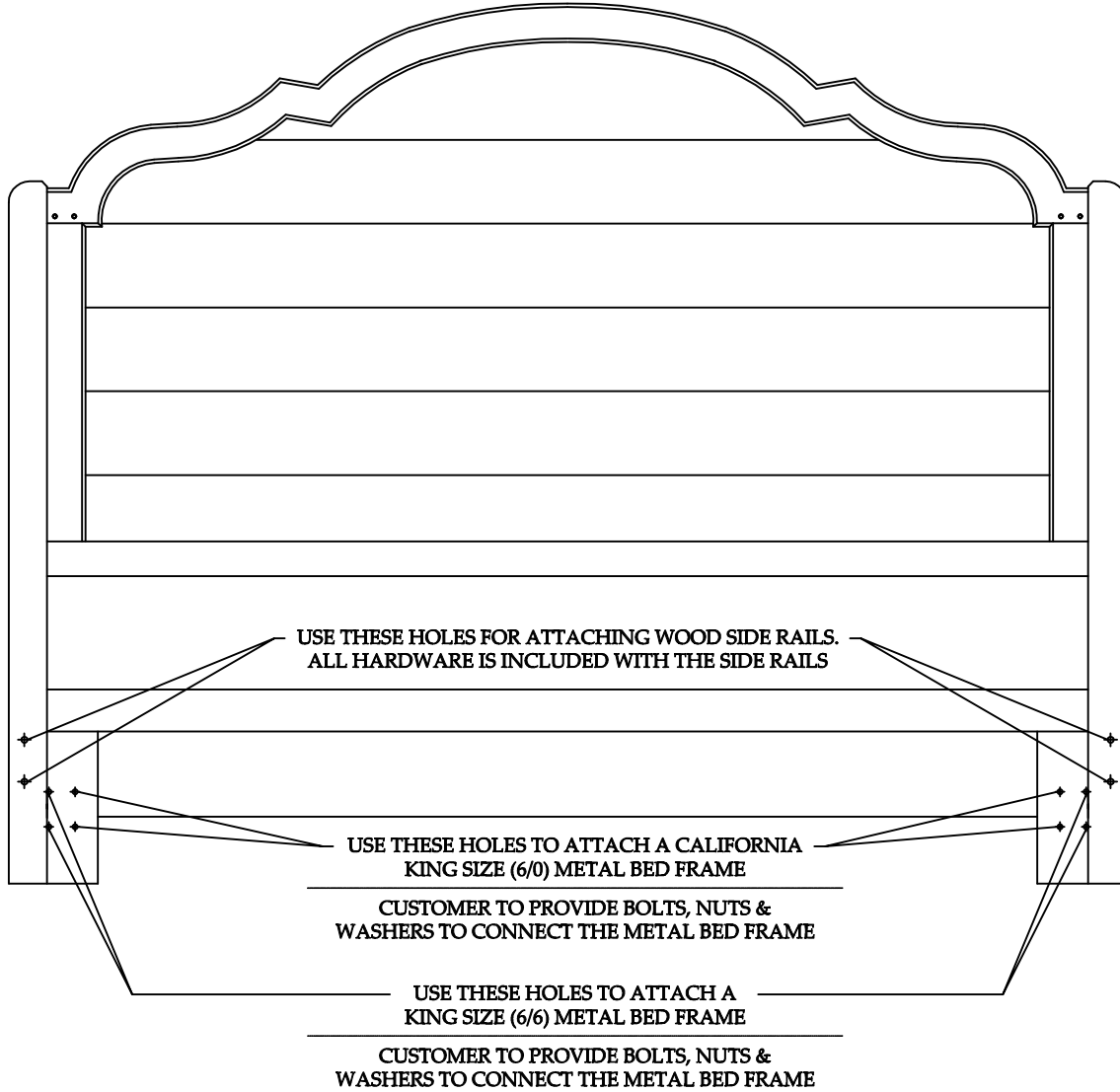
Be sure to check all packing material carefully for small parts, which may have come loose inside the carton during shipment.

To prevent possible scratches and damage, this furniture should be assembled on a soft surface such as a blanket or carpet.



#17280/17281/17282
Cal King Bed





King Headboard

*The Headboard may be used alone
with a King or California King
Full Size Metal Bed Frame*